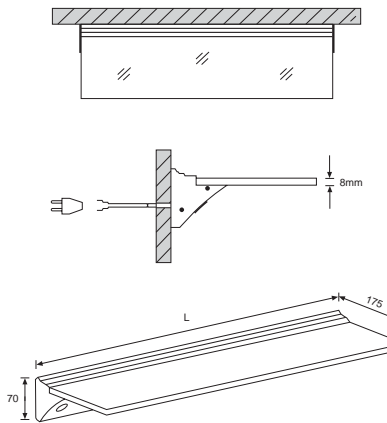


LED Shelf

A storage shelf with LED lights encapsulated inside to create a stunning design option. When the shelf is turned on the opaque glass is brightly illuminated. It has triangular shaped housing with a built in switch.

Code	LED-SHELF-6	LED-SHELF-9
Dimensions (mm) length x width x depth	600 x 175 x 70	900 x 175 x 70
Lamp Wattage	3W	5W
Lamp Voltage	220-240V	
Colour	White	
Connection	Hard wired - ready to install	
Main Cable	1.8m	
Life	30,000 hours	
Profile	Silver anodised aluminium	
Switch	On/off switch built into shelf	
Mounting	Surface	
Glass	8mm tempered safety glass loads up to 10kg	



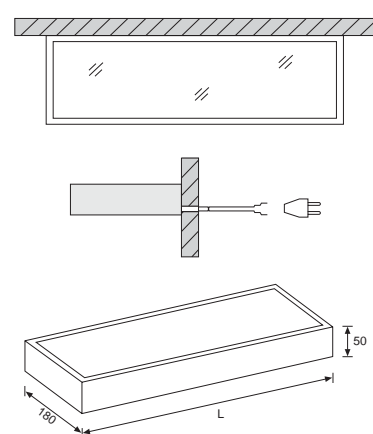
*Transformer is not required



Fluorescent Light Shelf

A storage shelf with a fluorescent light positioned inside to illuminate the opaque glass when turned on. It has aluminium housing with a silver finish and the light is triggered when the shelf is touch by hand. A brilliant design and storage option.

Code	FL-SHELF-6	FL-SHELF-9
Dimensions (mm) length x width x depth	600 x 180 x 50	900 x 180 x 50
Weight Load	Up to 15kg	Up to 22.5kg
Lamp Wattage	16W	22W
Lamp Voltage	220-240V	
Lamp	T4 Fluoro	
Connection	Hard wired - ready to install	
Main Cable	1.8 m	
Life	7,000 hours	
Profile	Silver anodised aluminium	
Switch	Touch sensor switch	
Mounting	Surface	
Glass	Opaque tempered glass	



*Transformer is not required



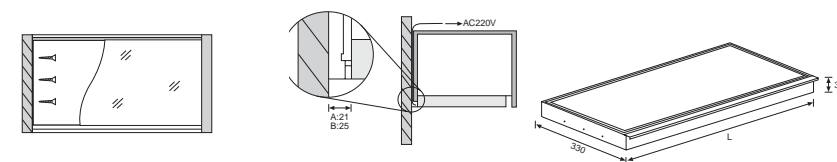
Cabinet Base Light - Fluorescent

This unique option is a rectangular glass shelf that is used as the base for a cabinet. It is illuminated with fluorescent lights which brings the cabinet to life.

The glass is toughened and opaque in colour. The glass shelf is supported with anodised aluminium housing to create a smart look.

Code	FL-CABBASE-868	FL-CABBASE-1168
Dimensions (mm) length x width x depth	868 x 330 x 37	1168 x 330 x 37
Weight	5470g	7115g
Lamp Wattage	14W	14W
Lamp Voltage	220-240V	
Lamp	T5 Fluoro	
Connection	Hard wired - ready to install	
Main Cable	1.8m	
Life	7,000 hours	
Profile	Silver anodised aluminium	
Switch	On/off sensor	
Mounting	Part of cabinet structure	

*Transformer is not required



Halogen Downlights - Hera

We stock the Hera range of high quality halogen downlights. These lights are cool halogens which means there is no heat emission off the back of the unit. They are 14mm in thickness and will fit easily into a blind hole for 18-20mm board.

They are great for inside / outside cabinetry, particularly for illuminating a bench space.

Code	ARF68-R	ARF78-SQ
Lamp Shape	Round	Square
Hole Diameter	68mm	78mm
Lamp Wattage	20W	
Lamp Voltage	12V	
Lamp	G4 Halogen	
Connection	Transformer, 230-240V, 2.4 metres	
Main Cable	1.8 m	
Life	4,000 hours	
Order Size	Single or Pack of 3 (ARF68-R-3 & ARF78-SQ-3)	
Switch	On/off switch at power outlet	
Mounting	Recessed	

*Transformer is included and can operate a maximum of six lights



ACCESSORIES

We stock a range of spare parts & accessories for our lighting products.

LED Transformers

Code: LED-TF

Spare transformers for our halogen products. They can operate a maximum of six lights, switches, sensors & accessories.

Halogen Transformers - Hera

Code: HAL-TF

Spare transformers for our LED products. They can operate a maximum of three lights, switches, sensors & accessories.

Halogen Lamps - 10W & 20W

Code: HAL-B10W

Code: HAL-B20W

Extension Cord - Halogen

Code: HAL-EXT

Length: 1.8 metres

Infra-red Movement Sensor - Halogen

Code: IR-DS

These sensors are great for inside cabinetry and will trigger a light when the doors are opened or closed.



PRODUCT WARRANTY

All Stefano Orlati lighting products offer you the warranties extended to you under the Consumer Guarantees Act 1993. Also, particularly to the Stefano Orlati range the warranty covers the following:

- Free from defects in materials and workmanship.
- Comply with samples you may have acquired from NZHE
- As long as used for the specified intention of the product. The product will be of acceptable quality and will be fit for the purpose intended.
- Our warranty is for a period of one year from the date of purchase.

Certain conditions do apply. For further information on the warranty please contact us direct and we will be happy to assist you.

Disclaimer

The details in this brochure may be subject to change. Please be mindful that no responsibility is taken for any loss, damage or liability resulting from any changes to this brochure.

CONTACT DETAILS

www.stefanohardware.com

New Zealand

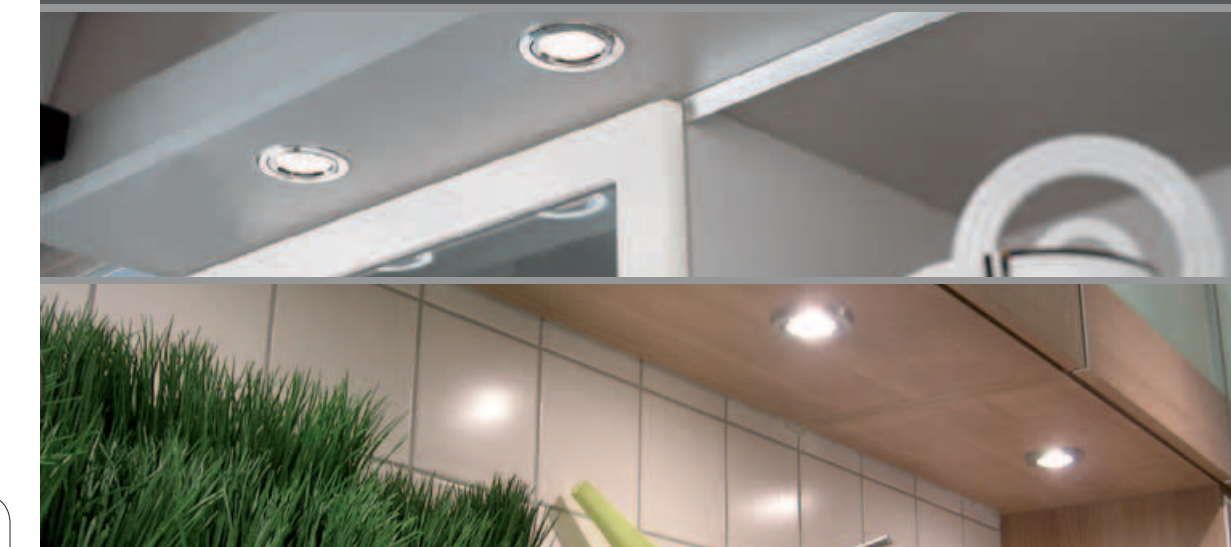
Auckland
NZ Hardware Enterprises Ltd
34 Waipareira Ave
Henderson
Auckland 0610
Ph: 0064 9 837 0886
Fax: 0064 9 837 8003
Email: info@nzhe.co.nz

Christchurch
NZ Hardware Enterprises Ltd
38-B Brisbane Street
Sydenham
Christchurch 8023
Ph: 0064 3 981 8518
Fax: 0064 3 942 7296
Email: info@nzhe.co.nz

Australia

Brisbane
Stefano Orlati Pty Ltd
6B, 229 Robinson Road
Geebung
Brisbane QLD 4034
Ph: 0061 7 3865 1155
Fax: 0061 7 3865 1366
Email: info@stefanohardware.com

Stefano Orlati



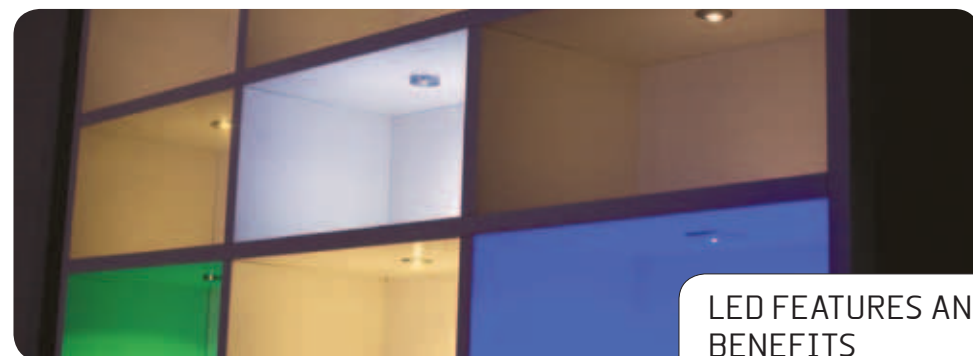
Lighting Brochure | Milano Edition

The exciting range of Stefano Orlati lighting is specifically designed to bring the way cabinetry is illuminated to the forefront of design



The Stefano Orlati lighting range consists of the following technologies :

- Light Emitting Diodes - (LED's)
- Halogen
- Fluorescent



LED FEATURES AND BENEFITS

EFFICIENCY
Produce more light per watt than incandescent bulbs, which results in significant energy savings

SIZE
Are relatively small and light weight

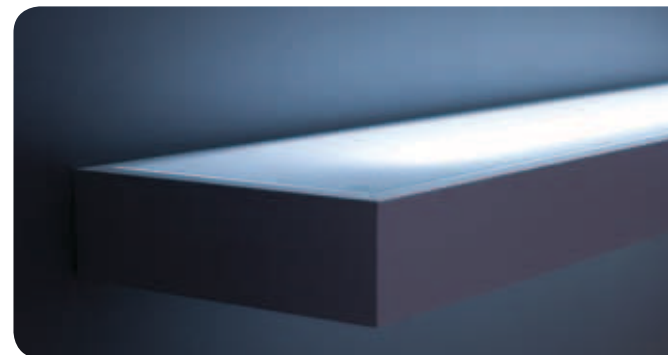
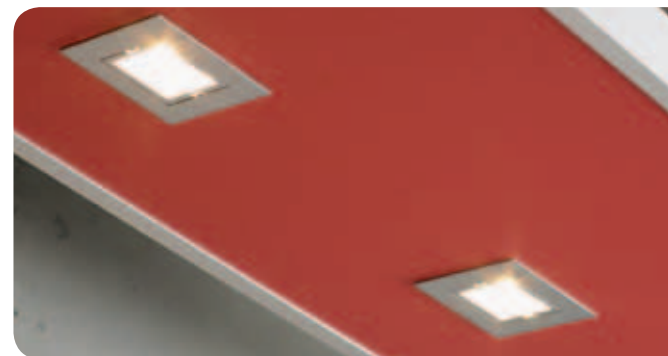
ON/OFF TIME
Light up very quickly, can be a matter of microseconds

COOL LIGHT
Radiate very little heat

LIFETIME
Have a relatively long useful life, as much as 50,000 hours

SHOCK RESISTANCE
Are difficult to damage with external shock, unlike fluorescent and incandescent bulbs which are fragile

ENVIRONMENTALLY FRIENDLY
Are made of non-toxic materials and can be recycled

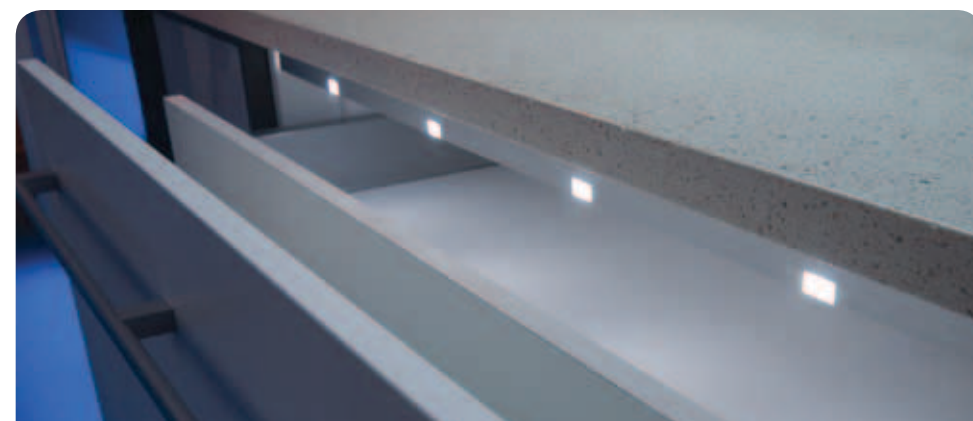


Pelmet Light - Round LED

This light is ideally suited for underneath cabinetry to illuminate a bench space. The light has a sensor that faces downwards to the bench and is triggered by a passing hand. It consists of round LED's encased in aluminium housing with a silver finish.

Code	LED-CAB-R-6	LED-CAB-R-9
Dimensions (mm) length x width x depth	600 x 60 x 20	900 x 60 x 20
Lamp Wattage	3 x 1W LEDs	6 x 1W LEDs
Lamp Voltage	12V	
Connection	Transformer, 100-260V, 2 metres	
Main Cable	2 metres	
Life	30,000 hours	
Profile	Silver anodised aluminium	
Switch	Passing hand on/off sensor	
Mounting	Surface	

*Transformer is included and can operate a maximum of three lights



Cabinet Light - Square LED

The best use for this light is inside cabinetry. It comes in four different sizes to fit most drawers, cupboards and pantries. The light has a sensor that faces the door so it will be triggered when the door is opened or closed. It consists of square LED's encased in aluminium housing with a silver finish.

Code	LED-CAB-SQ-6	LED-CAB-SQ-7	LED-CAB-SQ-8	LED-CAB-SQ-9
Dimensions (mm) length x width x depth	563 x 40 x 25	663 x 40 x 25	763 x 40 x 25	863 x 40 x 25
Lamp Wattage	2.4W	2.4W	3.2W	3.2W
Lamp Voltage	12V			
Connection	Transformer, 100-260V, 2 metres			
Main Cable	2 metres			
Life	30,000 hours			
Profile	Silver anodised aluminium			
Switch	Sensor switch triggered by drawer opening			
Mounting	Surface			

*Transformer is included and can operate a maximum of three lights

Small LED Downlights

A discreet but highly illuminating downlight that offers task quality light.

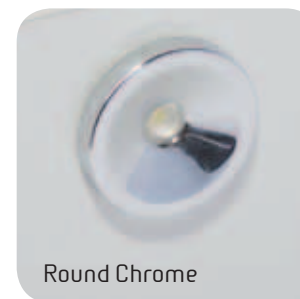
They have many uses such as inside a cabinet, pantry or to fit in overhead cabinets. They are also great for displaying outside cabinetry.

*Transformer is included and can operate a maximum of three lights

Code	LED-DOWN-OV	LED-DOWN-SQ	LED-DOWN-CH
Lamp Shape	Oval	Square	Round
Finish	Foggy Silver	Foggy Silver	Chrome
Dimensions	Hole Diameter: 25mm, Depth: 9mm		
Lamp Wattage	1W		
Lamp Voltage	12V		
Colour	Warm White, Cool White, Daylight		
Connection	Transformer, 100-260V, 2 metres		
Main Cable	1.4 m		
Life	30,000 hours		
Order Size	Pack of 3 (incl transformer)		
Switch	On/off at power outlet		
Mounting	Recessed		



Square - Foggy Silver



Round Chrome



Oval - Foggy Silver



Large LED Downlights

These are large recessed LED spotlights that are great for installing under cabinetry to brightly illuminate a bench space, or inside cabinetry.

An option to consider as an alternative to our halogen downlights.

They are brighter than our small LED downlights due to having 18 diodes.

*Transformer is included and can operate a maximum of three lights

Code	LED-DOWN-R-LARGE
Lamp Shape	Round
Finish	Chrome
Dimensions	Hole Diameter: 65mm, Depth: 12mm
Lamp Wattage	1.2W
Lamp Voltage	12V
Colour	Cool White
Connection	Transformer, 100-260V, 2 metres
Main Cable	1.4m
Life	30,000 hours
Order Size	Singular (incl transformer)
Switch	On / Off switch at power outlet
Mounting	Recessed

LED Ribbon

The LED ribbon is a brilliant option for creating ambience and defining the space & mood wherever it is installed.

It can be installed in many creative ways. It can feature under a toe kick, breakfast bar or inside / outside cabinetry, but the possibilities are open to your imagination.

A wide range of colours are available:
 - Red - Cool White
 - Green - Warm White
 - Blue - Daylight
 - Yellow

Casing

The ribbon is supplied with casing and we have two options:

1) Rigid - aluminium extrusion casing available with two choices of plastic cover - clear or opaque. The casing can be clipped on or recessed.

CODE: RIBBON-RIGID-OP

Recess Dimensions: 18mm High, 20mm Wide

CODE: RIBBON-RIGID-CL

Recess Dimensions: 14mm High, 20mm Wide

2) Flexible - water resistant casing made from rubber that can be attached with clips or double sided tape.

CODE: RIBBON-FLEX

Order Size: Supplied to any requested length. Transformer & casing incl.

Power: 4.8W per metre & 12 Volt

Transformer: 100-260V, 2 metres, can operate a maximum ribbon length of 10 metres

RGB Ribbon

An exciting option is our RGB Ribbon which will run a multi colour spectrum (Red, Green & Blue) with changeable patterns of your choice. A transformer, colour controlling unit and remote control are included.

CODES:

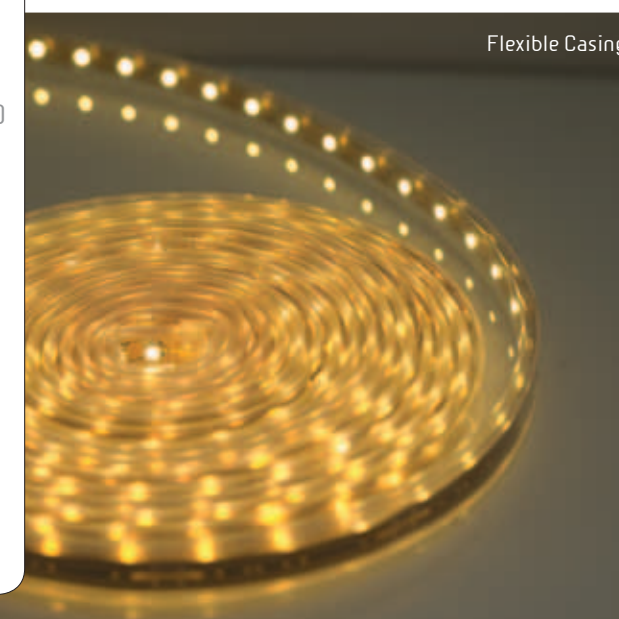
RGB-RIGID-OP

RGB-RIGID-CL

RGB-FLEX



Rigid Casing



Flexible Casing