

Titus Tekform
Product Brochure



**Tekform
Fasteners
by Titus**

2015

Innovation, Technical Expertise and Reliability

The Titus Group

The Titus Group develops, manufactures and markets innovative precision components solutions that improve competitiveness of its customers in various industries. Through innovative product design, high volume manufacturing expertise and efficient service, business partners are enabled to improve their productivity and quality as well as reduce costs of assembly, manufacturing and other processes.

The majority of the Titus group of companies' turnover comes from its core activity in furniture connectors, concealed hinges and furniture damping. The precision engineering competence gained in the field of furniture hardware has been applied to other areas: multi- purpose damping technology, automated assembly systems, tooling and ultrasound fastening technology in various industries; including furniture, home appliances, automotive, medical devices and hardware.

With over 600 employees worldwide and markets in over 70 countries, The Titus group, under the umbrella of Titus International Ltd., is based in the UK and comprises 14 companies originating from Titus International in England and Lama d.d. Dekani in Slovenia.



Titus Tekform in Australia

Titus Tekform Pty. Ltd. was created and launched to the Australian market on 1 April 2014. The Titus Group acquired the Tekform group of companies in Australia, thus securing Titus' distribution channels. The new company has been renamed and rebranded Titus Tekform.

In the competitive Australian kitchen, cabinet making and shop-fitting markets, the industry is becoming reliant on fewer 'best practice' suppliers who can provide innovation and a differentiated product portfolio. Titus Tekform is your answer.

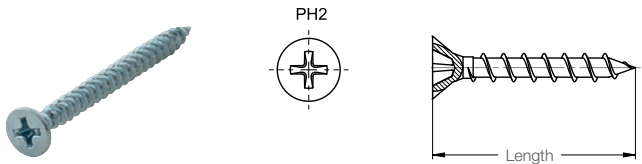
Titus Tekform aims to be your supplier of choice by bringing new branded innovations to market, establishing long-term relationships with our suppliers and customers and providing technical expertise.

Tekform Fasteners by Titus

WoodFast Countersunk Screws

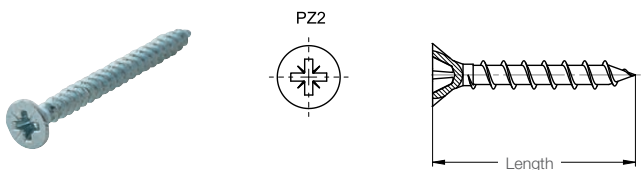
- Particle board screw with long and coarse thread
- Reinforced double countersunk head
- Deeper recess provides for higher torque
- 40° thread pitch
- Lubricated coating
- Safer and faster driving

WoodFast Countersunk Reinforced



Pack quantity: 1,000 FA21482 pack quantity: 500
Made of steel

WoodFast Countersunk Reinforced



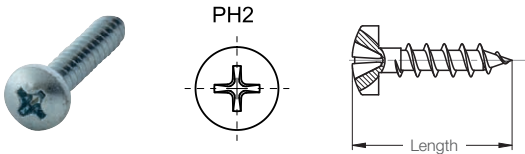
Pack quantity: 1,000 FA21532 pack quantity: 500
Made of steel

Drive Type	Thread Gauge	Length (mm)	Finish	Item Number
Philips Drive No 2	3.5	13	Zinc Plated	FA21450
Philips Drive No 2	3	16	Zinc Plated	FA21451
Philips Drive No 2	3.5	16	Zinc Plated	FA21452
Philips Drive No 2	3.5	20	Zinc Plated	FA21454
Philips Drive No 2	3.5	25	Zinc Plated	FA21456
Philips Drive No 2	3.5	32	Zinc Plated	FA21458
Philips Drive No 2	3.5	40	Zinc Plated	FA21460
Philips Drive No 2	4	16	Zinc Plated	FA21462
Philips Drive No 2	4	20	Zinc Plated	FA21464
Philips Drive No 2	4	25	Zinc Plated	FA21466
Philips Drive No 2	4	28	Zinc Plated	FA21468
Philips Drive No 2	4	32	Zinc Plated	FA21470
Philips Drive No 2	4	40	Zinc Plated	FA21472
Philips Drive No 2	4	45	Zinc Plated	FA21474
Philips Drive No 2	4	50	Zinc Plated	FA21476
Philips Drive No 2	4	57	Zinc Plated	FA21478
Philips Drive No 2	4.5	65	Zinc Plated	FA21480
Philips Drive No 2	5	75	Zinc Plated	FA21482
Pozidrive No 2	3.5	13	Zinc Plated	FA21500
Pozidrive No 2	3	16	Zinc Plated	FA21501
Pozidrive No 2	3.5	16	Zinc Plated	FA21502
Pozidrive No 2	3.5	20	Zinc Plated	FA21504
Pozidrive No 2	3.5	25	Zinc Plated	FA21506
Pozidrive No 2	3.5	28	Zinc Plated	FA21507
Pozidrive No 2	3.5	32	Zinc Plated	FA21508
Pozidrive No 2	3.5	40	Zinc Plated	FA21510
Pozidrive No 2	4	16	Zinc Plated	FA21512
Pozidrive No 2	4	20	Zinc Plated	FA21514
Pozidrive No 2	4	25	Zinc Plated	FA21516
Pozidrive No 2	4	28	Zinc Plated	FA21518
Pozidrive No 2	4	32	Zinc Plated	FA21520
Pozidrive No 2	4	40	Zinc Plated	FA21522
Pozidrive No 2	4	45	Zinc Plated	FA21524
Pozidrive No 2	4	50	Zinc Plated	FA21526
Pozidrive No 2	4.5	57	Zinc Plated	FA21528
Pozidrive No 2	4.5	65	Zinc Plated	FA21530
Pozidrive No 2	5	75	Zinc Plated	FA21532

Tekform Fasteners by Titus

WoodFast Panhead Screws

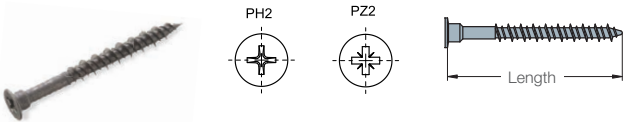
- Panhead
- Zinc Plated
- Particleboard screw with long and course thread
- 40° pitch
- Lubricated coating
- Safer and faster driving

	Drive Type	Thread Gauge	Length (mm)	Finish	Item Number
WoodFast Panhead Reinforced 	Philips Drive No 2	3	13	Zinc Plated	FA21560
	Philips Drive No 2	3.5	13	Zinc Plated	FA21562
	Philips Drive No 2	3.5	16	Zinc Plated	FA21568
	Philips Drive No 2	3.5	25	Zinc Plated	FA21570
	Philips Drive No 2	4	25	Zinc Plated	FA21582
	Philips Drive No 2	4	32	Zinc Plated	FA21586
	Philips Drive No 2	4	37	Zinc Plated	FA21588
	Philips Drive No 2	4	50	Zinc Plated	FA21592

Pack quantity: 1,000 Made of steel

Hi-Lo Funnel Head Screws

- Hi-Lo™ screws have a twin thread for faster insertion
- 'Hi' threads and 'Lo' threads combine to give excellent pull out in chipboard
- Funnel head design means no countersinking
- Steel is case hardened for extra strength

	Drive Type	Thread Gauge	Length (mm)	Finish	Item Number
Hi-Lo Funnel Head 	Philips Drive No 2	4	45	Black	T077PY
	Pozidrive No 2	4	45	Black	T0169P

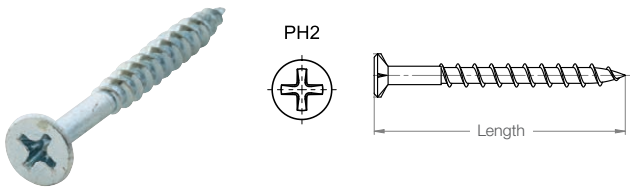
Pack quantity: 1,000 Made of steel

Tekform Fasteners by Titus

ChipFast Countersunk Nib Screws

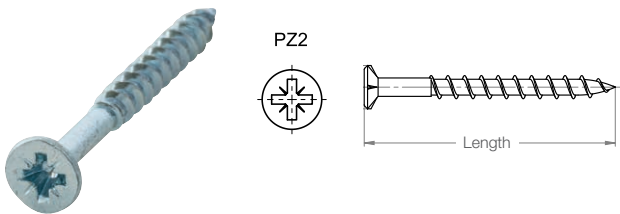
- Self-countersinking head with nibs
- 3/4 thread
- Coarse thread
- Needle screw point
- Zinc Plated

ChipFast Countersunk Nib



Pack quantity: 1,000 FA20692 pack quantity: 500
Made of steel

ChipFast Countersunk Nib



Pack quantity: 1,000 FA20624 pack quantity: 500
Made of steel

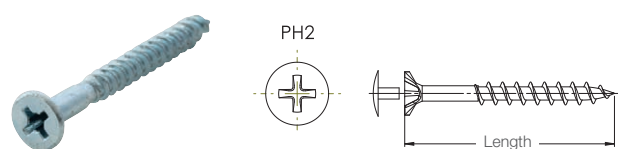
Drive Type	Thread Gauge	Length (mm)	Finish	Item Number
Philips Drive No 2	3.7	16	Zinc Plated	FA20655
Philips Drive No 2	4	20	Zinc Plated	FA20670
Philips Drive No 2	4	25	Zinc Plated	FA20672
Philips Drive No 2	4	28	Zinc Plated	FA20674
Philips Drive No 2	4	30	Zinc Plated	FA20675
Philips Drive No 2	4	32	Zinc Plated	FA20676
Philips Drive No 2	4	35	Zinc Plated	FA20678
Philips Drive No 2	4	38	Zinc Plated	FA20680
Philips Drive No 2	4	40	Zinc Plated	FA20682
Philips Drive No 2	4	45	Zinc Plated	FA20684
Philips Drive No 2	4	50	Zinc Plated	FA20686
Philips Drive No 2	4	57	Zinc Plated	FA20688
Philips Drive No 2	4	65	Zinc Plated	FA20690
Philips Drive No 2	5	75	Zinc Plated	FA20692
Pozidrive No 2	4	20	Zinc Plated	FA20600
Pozidrive No 2	4	25	Zinc Plated	FA20602
Pozidrive No 2	4	28	Zinc Plated	FA20604
Pozidrive No 2	4	30	Zinc Plated	FA20606
Pozidrive No 2	4	32	Zinc Plated	FA20608
Pozidrive No 2	4	35	Zinc Plated	FA20610
Pozidrive No 2	4	38	Zinc Plated	FA20612
Pozidrive No 2	4	40	Zinc Plated	FA20614
Pozidrive No 2	4	45	Zinc Plated	FA20616
Pozidrive No 2	4	50	Zinc Plated	FA20618
Pozidrive No 2	4	57	Zinc Plated	FA20620
Pozidrive No 2	4	65	Zinc Plated	FA20622
Pozidrive No 2	5	75	Zinc Plated	FA20624

Tekform Fasteners by Titus

SupaTop Countersunk Nib Head Hole Screws

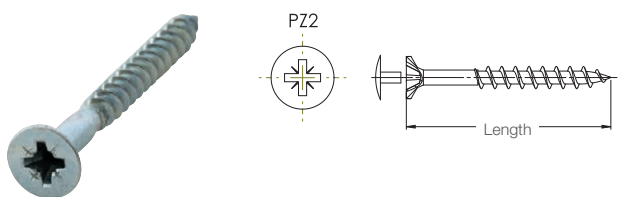
- Reinforced double countersunk head
- Self-countersinking nibs
- Suitable for long stem head hole covers
- Deeper recess provides for higher torque
- Lubricated coating
- Safer and faster driving

SupaTop Countersunk Nib Head Hole



Pack quantity: 1,000 FA20880 pack quantity: 500
Made of steel

SupaTop Countersunk Nib Head Hole




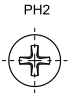
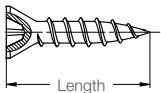

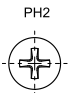
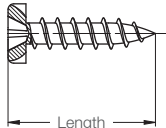
Pack quantity: 1,000 FA21429 pack quantity: 500
Made of steel

Drive Type	Thread Gauge	Length (mm)	Finish	Item Number
Philips Drive No 2	4.5	25	Zinc Plated	FA20872
Philips Drive No 2	4.5	28	Zinc Plated	FA20870
Philips Drive No 2	4.5	30	Zinc Plated	FA20873
Philips Drive No 2	4.5	35	Zinc Plated	FA20874
Philips Drive No 2	4.5	40	Zinc Plated	FA20875
Philips Drive No 2	4.5	45	Zinc Plated	FA20876
Philips Drive No 2	4.5	50	Zinc Plated	FA20877
Philips Drive No 2	4.5	60	Zinc Plated	FA20878
Philips Drive No 2	4.5	65	Zinc Plated	FA20879
Philips Drive No 2	4.5	70	Zinc Plated	FA20880
Pozidrive No 2	4.5	25	Zinc Plated	FA21400
Pozidrive No 2	4.5	28	Zinc Plated	FA21419
Pozidrive No 2	4.5	30	Zinc Plated	FA21420
Pozidrive No 2	4.5	35	Zinc Plated	FA21421
Pozidrive No 2	4.5	40	Zinc Plated	FA21422
Pozidrive No 2	4.5	45	Zinc Plated	FA21424
Pozidrive No 2	4.5	50	Zinc Plated	FA21426
Pozidrive No 2	4.5	60	Zinc Plated	FA21427
Pozidrive No 2	4.5	65	Zinc Plated	FA21428
Pozidrive No 2	4.5	70	Zinc Plated	FA21429

Tekform Fasteners by Titus



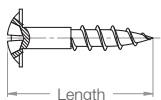
TapFast Screws

- Fine thread
- Zinc Plated

			Thread Gauge	Length (mm)	Finish	Item Number
TapFast Countersunk   	Philips Drive No 2	3.5	13	Zinc Plated	FA20704	
	Philips Drive No 2	3.5	16	Zinc Plated	FA20709	
	Philips Drive No 2	4	16	Zinc Plated	FA20710	
	Philips Drive No 2	4	20	Zinc Plated	FA20714	
	Philips Drive No 2	4	25	Zinc Plated	FA20716	
	Philips Drive No 2	3.5	32	Zinc Plated	FA20721	
	Pack quantity: 1,000 Made of steel					
TapFast Panhead   	Philips Drive No 2	3.5	16	Zinc Plated	FA20768	
	Philips Drive No 2	4	16	Zinc Plated	FA20769	
Pack quantity: 1,000 Made of steel						

CabFast Screws

- White button head
- 3/4 thread
- Course thread
- Zinc Plated

			Thread Gauge	Length (mm)	Finish	Item Number
CabFast Wafer Head   	Philips Drive No 2	4	16	Zinc Plated	FA20630	
	Philips Drive No 2	4	28	Zinc Plated	FA20632	
	Philips Drive No 2	4	32	Zinc Plated	FA20634	
	Philips Drive No 2	4	50	Zinc Plated	FA20636	
	Philips Drive No 2	4	65	Zinc Plated	FA20638	
Pack quantity: 1,000 Made of steel						

Tekform Fasteners by Titus

SoloFast Screws

- Cabinet construction screw
- For pre-drilled stepped holes
- Zinc Plated

	Drive Type	Thread Gauge	Length (mm)	Finish	Item Number
SoloFast Connecting	Pozidrive No 2	5	50	Zinc Plated	FA20833

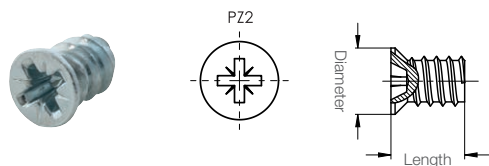


Pack quantity: 4,500 Made of steel

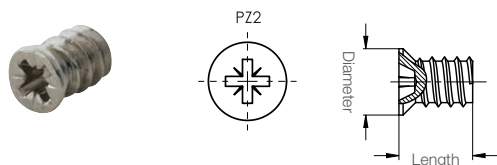
EuroFast Screws

- Hardware assembly screw
- For 5mm pre-drilled holes
- Zinc Plated

	Drive Type	Screw Diameter (mm)	Head Diameter (mm)	Length (mm)	Finish	Item Number
EuroFast Countersunk	Pozidrive No 2	6	8	10	Nickel Plated	FA20526
	Pozidrive No 2	6	8	13	Nickel Plated	FA20528
	Pozidrive No 2	6.3	7	10	Nickel Plated	FA20530
	Pozidrive No 2	6.3	7	13	Nickel Plated	FA20534
	Pozidrive No 2	6.3	8	10	Nickel Plated	FA20538
	Pozidrive No 2	6.3	8	13	Nickel Plated	FA20542
EuroFast PanHead	Pozidrive No 2	6	9	10.5	Nickel Plated	FA20543



Pack quantity: 1,000 Made of steel



Pack quantity: 1,000 Made of steel

Tekform Fasteners by Titus

HandleFast Screws

- Combination head
- Button head
- Zinc Plated

HandleFast Trusshead

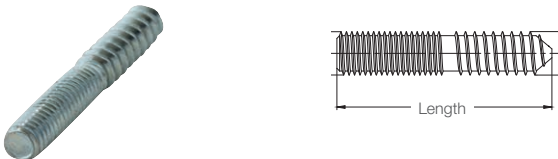


Pack quantity - screw lengths up to 28mm: 1,000
 Pack quantity - screw lengths over 28mm: 500

Type	Thread Type	Length (mm)	Finish	Item Number
Trusshead	M4	10	Zinc Plated	FA20959
Trusshead	M4	12	Zinc Plated	FA20960
Trusshead	M4	16	Zinc Plated	FA20961
Trusshead	M4	20	Zinc Plated	FA20962
Trusshead	M4	22	Zinc Plated	FA20963
Trusshead	M4	25	Zinc Plated	FA20964
Trusshead	M4	28	Zinc Plated	FA20971
Trusshead	M4	32	Zinc Plated	FA20965
Trusshead	M4	35	Zinc Plated	FA20966
Trusshead	M4	38	Zinc Plated	FA20967
Trusshead	M4	42	Zinc Plated	FA20968
Trusshead	M4	45	Zinc Plated	FA20969
Trusshead	M4	50	Zinc Plated	FA20970

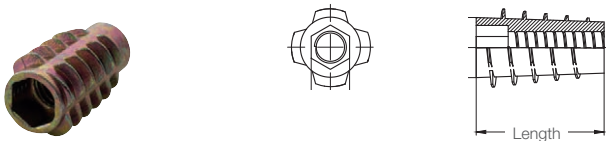
CombiFast Screws

CombiFast Lag Screws



Pack quantity: 1,000 Made of steel

CombiFast Insert Nuts



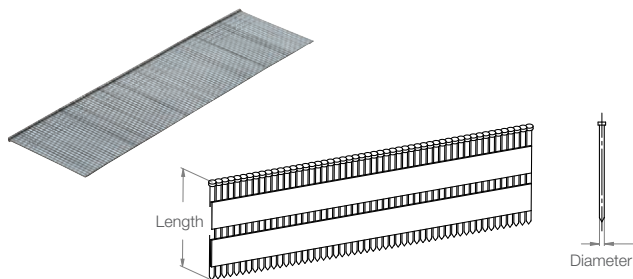
Pack quantity: 5,000 Made of zinc

Type	Thread Type	Length (mm)	Finish	Item Number
Lag Screw	5/16	50	Zinc Plated	FA20050
Lag Screw	5/16	60	Zinc Plated	FA20052
Lag Screw	5/16	87	Zinc Plated	FA20056
Insert Nut Type, Headed	1/4	20	Yellow Zinc	FA20215
Insert Nut Type, Headed	M6	13	Zinc Plated	FA20224
Insert Nut Type, Unheaded	M6	13	Zinc Plated	FA20230
Insert Nut Type, Headed	M6	13	Zinc Plated	FA20232
Insert Nut Type, Unheaded	M6	20	Yellow Zinc	FA20234

Tekform Fasteners by Titus

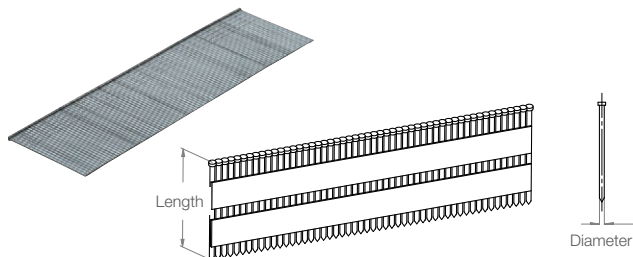
Brad Nails

BradNails C Series



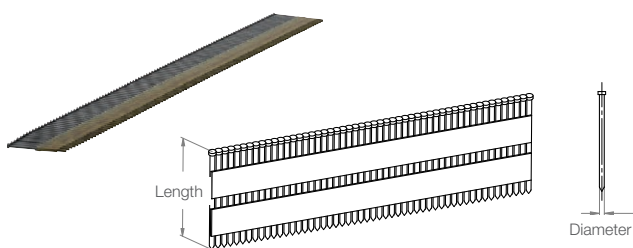
Pack quantity: 5,000 Made of steel

BradNails C1 Series



Pack quantity: 5,000
FA20117 pack quantity: 10,000
Made of steel

BradNails DA13 Series



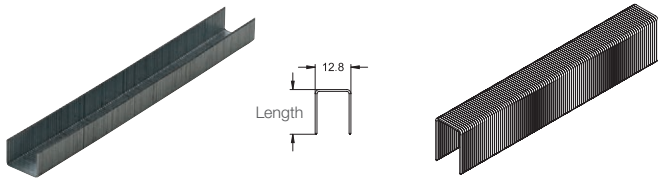
Pack quantity: 3,000 FA20140 pack quantity: 40
Made of steel

Type	Thread Gauge	Diameter (mm)	Length (mm)	Finish	Item Number
Brad Nail	16G		19	Galvanised	FA20098
Brad Nail	16G		25	Galvanised	FA20100
Brad Nail	16G		30	Galvanised	FA20102
Brad Nail	16G		32	Galvanised	FA20104
Brad Nail	16G		35	Galvanised	FA20106
Brad Nail	16G		38	Galvanised	FA20108
Brad Nail	16G		40	Galvanised	FA20110
Brad Nail	16G		45	Galvanised	FA20112
Brad Nail	16G		50	Galvanised	FA20114
Brad Nail	16G		64	Galvanised	FA20115
Brad Nail	18G		12	Galvanised	FA20117
Brad Nail	18G		15	Galvanised	FA20118
Brad Nail	18G		20	Galvanised	FA20120
Brad Nail	18G		25	Galvanised	FA20122
Brad Nail	18G		30	Galvanised	FA20124
Brad Nail	18G		35	Galvanised	FA20125
Brad Nail	18G		40	Galvanised	FA20126
Brad Nail	18G		45	Galvanised	FA20127
Brad Nail	18G		50	Galvanised	FA20128
Brad Nail	Angle 15G		25	Galvanised	FA20130
Brad Nail	Angle 15G		32	Galvanised	FA20132
Brad Nail	Angle 15G		38	Galvanised	FA20134
Brad Nail	Angle 15G		45	Galvanised	FA20136
Brad Nail	Angle 15G		50	Galvanised	FA20138
Brad Nail	Angle 15G		58	Galvanised	FA20139
Brad Nail	Angle 15G		65	Galvanised	FA20141
Nail		1.5	20	Zinc Plated	FA20140

Tekform Fasteners by Titus

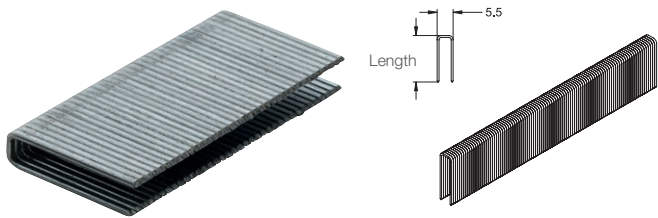
Staples

Wire Staples 80 Series



Pack quantity: 10,000 Made of steel

Wire Staples, 90 Series


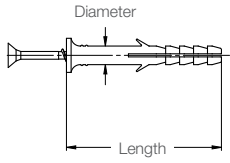

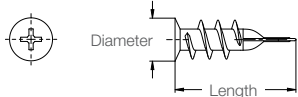

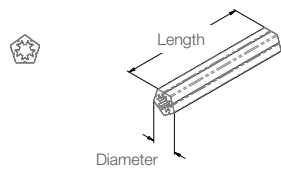


Pack quantity: 5,000 Made of steel

Type	Thread Gauge	Length (mm)	Finish	Item Number
Staples		4	Galvanised	FA21035
Staples		6	Galvanised	FA21036
Staples		8	Galvanised	FA21038
Staples		10	Galvanised	FA21040
Staples		12	Galvanised	FA21042
Staples		14	Galvanised	FA21044
Staples		16	Galvanised	FA21046
Staples	18G	13	Galvanised	FA21070
Staples	18G	16	Galvanised	FA21072
Staples	18G	18	Galvanised	FA21074
Staples	18G	22	Galvanised	FA21075
Staples	18G	25	Galvanised	FA21076
Staples	18G	28	Galvanised	FA21078
Staples	18G	32	Galvanised	FA21080
Staples	18G	38	Galvanised	FA21082

Tekform Fasteners by Titus

Fastener Accessories

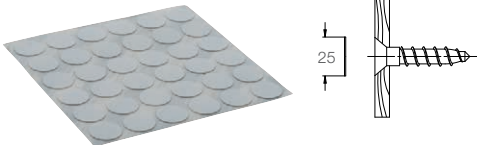
		Type	Diameter (mm)	Length (mm)	Finish	Item Number
Anchors  		Nylon Anchor, Philips Drive No. 2	6	60	Yellow Zinc	FA20030
		Nylon Anchor, Philips Drive No. 2	6	70	Yellow Zinc	FA20032
Pack quantity: 100	Made of nylon and steel					
WallMate  		Wallmate for Plasterboard, Philips Drive No. 2			Zinc Plated	FA21034
Pack quantity: 100	Made of zinc					
Wall Plugs  		Wall Plug	7	50	Green	FA21208
		Wall Plug	6.5	35	Green	FA21210
		Wall Plug	6.5	50	Green	FA21212
		Red Spaghetti (For fixing into plasterboard)	ø 5.5mm inner ø 6mm Drill			Red
Pack quantity: 25 pcs per frame, 20 frames per carton						
FA21214: 50mtr roll	Made of plastic					

Cover Caps

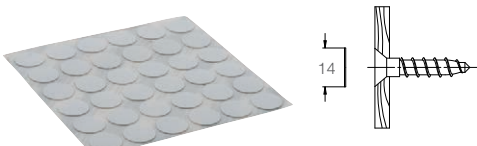
		Type	Diameter (mm)	Finish	Item Number
Star Screw Caps  		Star Screw Cap	12	White	FA20410
		Star Screw Cap	12	Antique White	FA20411
		Star Screw Cap	12	Black	FA20412
		Star Screw Cap	12	Folkstone	FA20413
		Star Screw Cap	12	Silver Grey	FA20472
Pack quantity: 1,000	Made of plastic				
SupaTop HH Caps 		SupaTop HH Cap	13	Black	FA20478
		SupaTop HH Cap	13	Marble Beige	FA20487
		SupaTop HH Cap	13	Beech	FA20495
		SupaTop HH Cap	13	White	FA20510
		SupaTop HH Cap	13	New Antique White	FA20511
		SupaTop HH Cap	13	Black	FA20512
		SupaTop HH Cap	13	Folkstone Grey	FA20513
Pack quantity: 1,000	Made of plastic				

Tekform Fasteners by Titus

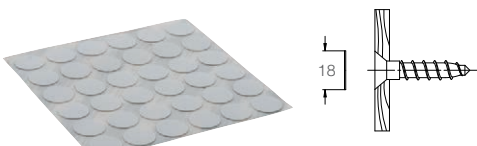
FastCap Cover Caps

Type	Diameter Gauge (mm)	Thickness (mm)	Finish	Item Number	
FastCap 	FastCap	25	0.4	White	FA20010
	FastCap	25	0.4	Black	FA20011
	FastCap	25	0.4	Antique White	FA20012
	FastCap	25	0.4	Folkstone Grey	FA20014

Pack quantity: 400 Made of PVC

FastCap 	FastCap	14	0.4	Wenge	FA21120
	FastCap	14	0.4	Finished MDF	FA21121
	FastCap	14	0.4	Beech	FA21122
	FastCap	14	0.4	Antique White	FA21123
	FastCap	14	0.4	Almond	FA21124
	FastCap	14	0.4	Black	FA21126
	FastCap	14	0.4	Fog Grey	FA21128
	FastCap	14	0.4	Folkstone Grey	FA21130
	FastCap	14	0.4	Dark Red Mahogany	FA21132
	FastCap	14	0.4	Knotty Pine	FA21138
	FastCap	14	0.4	Natural Cherry	FA21139
	FastCap	14	0.4	Pecan	FA21141
	FastCap	14	0.4	Mahogany	FA21142
	FastCap	14	0.4	Teak	FA21143
	FastCap	14	0.4	Sapele	FA21145
	FastCap	14	0.4	Medium Oak	FA21147
	FastCap	14	0.4	Pickled Oak	FA21148
	FastCap	14	0.4	White	FA21158
	FastCap	14	0.4	Alabaster	FA21160

Pack quantity: 1,040 Made of PVC
FA21141, FA21142, FA21143, FA21145,
FA21170, FA21186 Made of Veneer

FastCap 	FastCap	18	0.4	White	FA21161
---	---------	----	-----	-------	---------

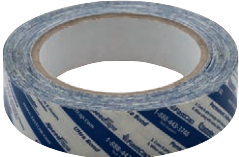



Pack quantity: 720 Made of PVC

Type	W x L (mm)	Thickness (mm)	Finish	Item Number	
FastCap 	FastCap System 6	24 x 21	0.4	White	FA21165
	FastCap System 6	24 x 21	0.4	Antique White	FA21166
	FastCap System 6	24 x 21	0.4	Black	FA21167
	FastCap System 6	24 x 21	0.4	Folkstone Grey	FA21168
	FastCap System 6	24 x 21	0.4	Alabaster	FA21171

Pack quantity: 480 Made of PVC

Tekform Fasteners by Titus

FastEdge and Accessories

	Type	Width (mm)	Thickness (mm)	Finish	Item Number
FastEdge Edge Tape  <p>FA20004 pack quantity: 15mtr roll FA20005 pack quantity: 76mtr roll Made of PVC</p>	EdgeTape	22	0.4	White	FA20004
	EdgeTape	22	0.4	White	FA20005
FastCap Speed Tape  <p>Pack quantity: 15mtr roll</p>	FastCap Speed Tape	25	0.4		FA20001
FastCap Hole Punch Pro Kit  <p>Pack quantity: 1</p>	FastCap Hole Punch Pro Kit				FA20000
FastCap Accuscribe Pro  <p>Pack quantity: 1</p>	FastCap Accuscribe Pro				FA20003

Tekform Fasteners by Titus

Conversion Tables

Pilot Hole Detail

Screw Gauge		Pilot Hole MDF	Pilot Hole Partical Board
Imperial	Metric		
5	3.2	2.4mm	1.45mm
6	3.5	2.6mm	1.6mm
7	3.8	2.7mm	1.65mm
8	4.2	3.0mm	1.95mm
9	4.5	3.3mm	2.1mm

Metric - Imperial Conversion

Imperial	Metric	Imperial	Metric
1/32	0.8	17/32	13.5
1/16	1.6	9/16	14.3
3/32	2.4	19/32	15.1
1/8	3.2	5/8	15.9
5/32	4	21/32	16.7
3/16	4.8	11/16	17.5
7/32	5.6	23/32	18.3
1/4	6.4	3/4	19.1
9/32	7.1	25/32	19.8
5/16	8	13/16	20.6
11/32	8.7	27/32	21.4
3/8	9.5	7/8	22.2
13/32	10.3	29/32	23
7/16	11.1	15/16	23.8
15/32	11.9	31/32	24.6
1/2	12.7	1	25.4

Metric - Imperial Conversion

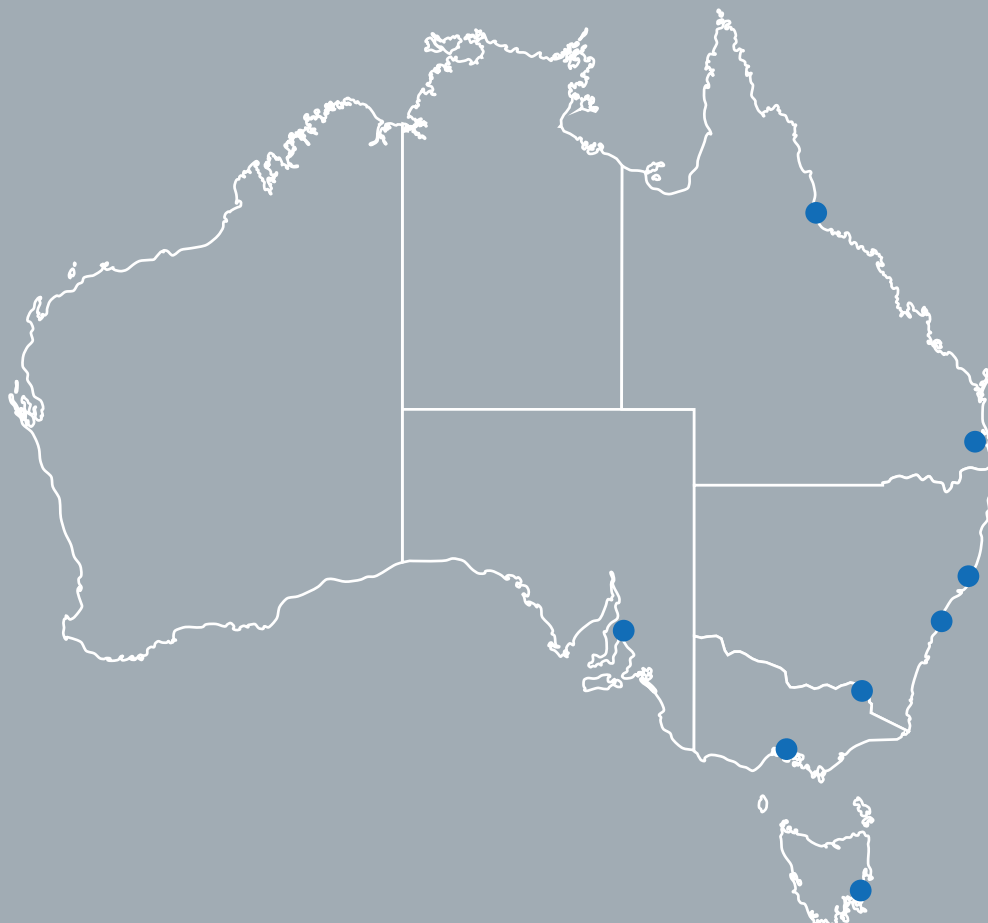
Imperial Gauge	Exact Metric Equivalent	Nominal Metric Equivalent
3g	2.5	2.5
4g	2.8	3.0
5g	3.2	X
6g	3.5	3.5
7g	3.8	4.0
8g	4.2	X
9g	4.5	4.5
10g	4.8	5.0
12g	5.5	5.5
14g	6.2	6.0

To get in touch with your local Titus Tekform sales representative log onto www.titustekform.com.au or email us at info@titustekform.com.au

To find out more about the Titus Group range of products: www.titusplus.com

**STAY
UPDATED!**

Stay in touch by signing up for our monthly product update.
Email us at info@titustekform.com.au



Australia

New South Wales

Titus Tekform Pty Ltd
 Unit 1&2, 41-43 Whyalla Place
 Prestons, NSW, 2170
 Australia
 T: +61 2 9826 0007
 Fax: +61 2 9826 0074
 ABN: 67 168 439 647

Titus Tekform Pty Ltd
 Unit 3, 100 Munibung Road
 Cardiff, NSW, 2285
 Australia
 T: +61 2 4954 4011
 Fax: +61 2 4954 4233

Queensland

Titus Tekform Pty Ltd
 1/32 Northlink Place
 Virginia, QLD, 4014
 Australia
 T: +61 7 3266 3999
 Fax: +61 7 3266 5234
 PO Box 266
 Northgate, QLD, 4013

Titus Tekform Pty Ltd
 20 Civil Road
 Garbutt, QLD, 4814
 Australia
 T: +61 7 4779 1366
 Fax: +61 7 4779 1316

South Australia

Titus Tekform Pty Ltd
 PO Box 357
 Bayswater, VIC, 3153
 Australia
 T: +61 8 8447 3700
 Fax: +61 8 8447 3183

Tasmania

Titus Tekform Pty Ltd
 88 Hopkins Street
 Moonah, TAS, 7009
 T: +61 3 6273 1199
 Fax: +61 3 6273 0050
 Australia
 PO Box 658
 Moonah, TAS, 7009

Victoria

Titus Tekform Pty Ltd
 8/59 Jersey Road
 Bayswater, VIC, 3153
 Australia
 T: +61 3 9737 5566
 Fax: +61 3 9729 8780
 PO Box 357
 Bayswater, VIC, 3153

Titus Tekform Pty Ltd
 2/20 Mint Street
 Wodonga, VIC, 3690
 Australia
 T: +61 2 6056 3188
 Fax: +61 2 6056 3190

To get in touch with your local Titus Tekform sales representative log onto www.titustekform.com.au or email us at info@titustekform.com.au

To find out more about the Titus Group range of products: www.titusplus.com