

AEROBUS VERTICAL OPENING

Technical Data Sheet



AeroBus, vertical opening system for doors.

Solution to add to the AERO line: the alternative opening applications range for wall hanging cabinet.

Compact and non-invasive system which guarantees excellent access to the interior space even in small furniture. Easy mounting on the cabinet and rapid fixing on the door with a "click" and without hinges.

Damper included for a controlled and silent closure of the door. Complete and accurate adjustment system. Force adjustment, based on door weight and sizes, for a freehold in every position and freewheel SlowMotion of the door.

Application with door with height max. 400mm and variable width bound to the load capacity.

Available two kits with different power ranges as per the table below:

Peso dell'anta (compresa la maniglia)
Door weight (including the handle)

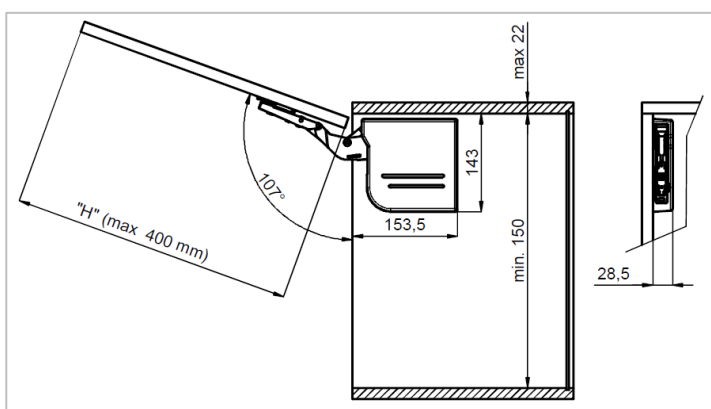
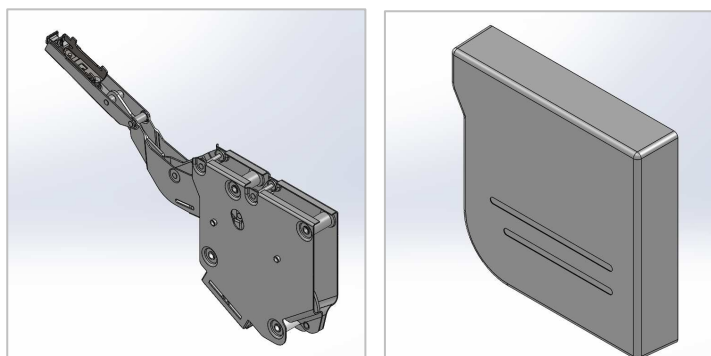
"H" (mm)	SCELTA DEL KIT - Kit choice	
	59.0VBS.A9.D20	59.0VBS.A9.D40
400	1,0 - 2,5 kg	2,4 - 5,5 kg
350	1,1 - 2,9 kg	2,7 - 6,3 kg
300	1,3 - 3,5 kg	3,2 - 7,4 kg
250	1,6 - 4,0 kg	3,8 - 8,9 kg
200	2,0 - 5,0 kg	4,8 - 11,0 kg
180	2,2 - 5,5 kg	5,3 - 12,3 kg

For technical details refer to the **SC 02128a**

Packing in kit, composed by:

- 2 system groups
- 2 covers: right and left
- 2 mounting plates for the door fixing
- 6 screws 4x15
- 8 screws 4x35

Production	Week 40-14
Samples	Week 40-14
Catalogue	N/A



Code	Description	Packing	Optimized Pallet
59.0VBS.A9.D20.0000	Kit AeroBus D20	10 kits per box	pallet 800x1200 n.40 boxes/pallet
59.0VBS.A9.D40.0000	Kit AeroBus D40	10 kits per box	pallet 800x1200 n.40 boxes/pallet