



**Tekform
Slimline
Drawer**

2017

Important Information

Technical information

While every effort has been made in the production of this catalogue to ensure the accuracy of information, our products are continually being revised and users should confirm the up to date specification before ordering. Due to constant improvement of products presented in the catalogue, we can make changes at any time and without notice.

Responsibility

It is the responsibility of the user to ensure the fitness of hardware for the intended purpose. We recommend assessment by appropriate testing in the application and by technical enquiry to our representatives.

Intellectual property

Titus Group owns the intellectual property rights in its products worldwide whether as trademarks, patents, intellectual, copyright, designs, illustrations, drawings and the 'know how' contained in their design and production. Titus Group respects the equivalent rights in competitors and all other relevant product design rights. To our knowledge our products do not infringe any intellectual property rights of competitors or other parties. Titus Group takes infringements of its rights seriously and will rigorously defend these rights to the full extent of the law.

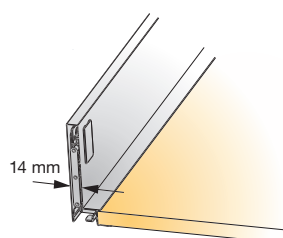
*Non preferred articles

All Item numbers in the catalogue marked with * are for non preferred items available on extended delivery times.

Trademarks

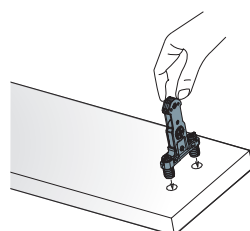
Titus and Titusonic are registered trademarks of Titus International Ltd. Lama is a registered trademark of Titus d.o.o. Dekani, WoodWelding is a registered trademark of WW SA.

Tekform Slimline Drawer



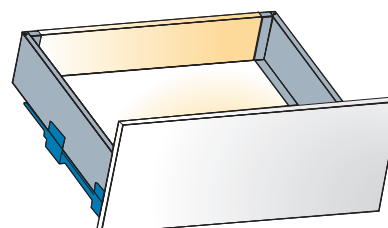
Narrow sides

- Sleek look
- Efficient utilisation of drawer space



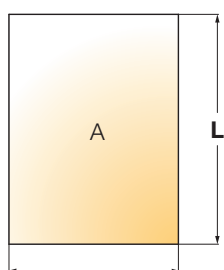
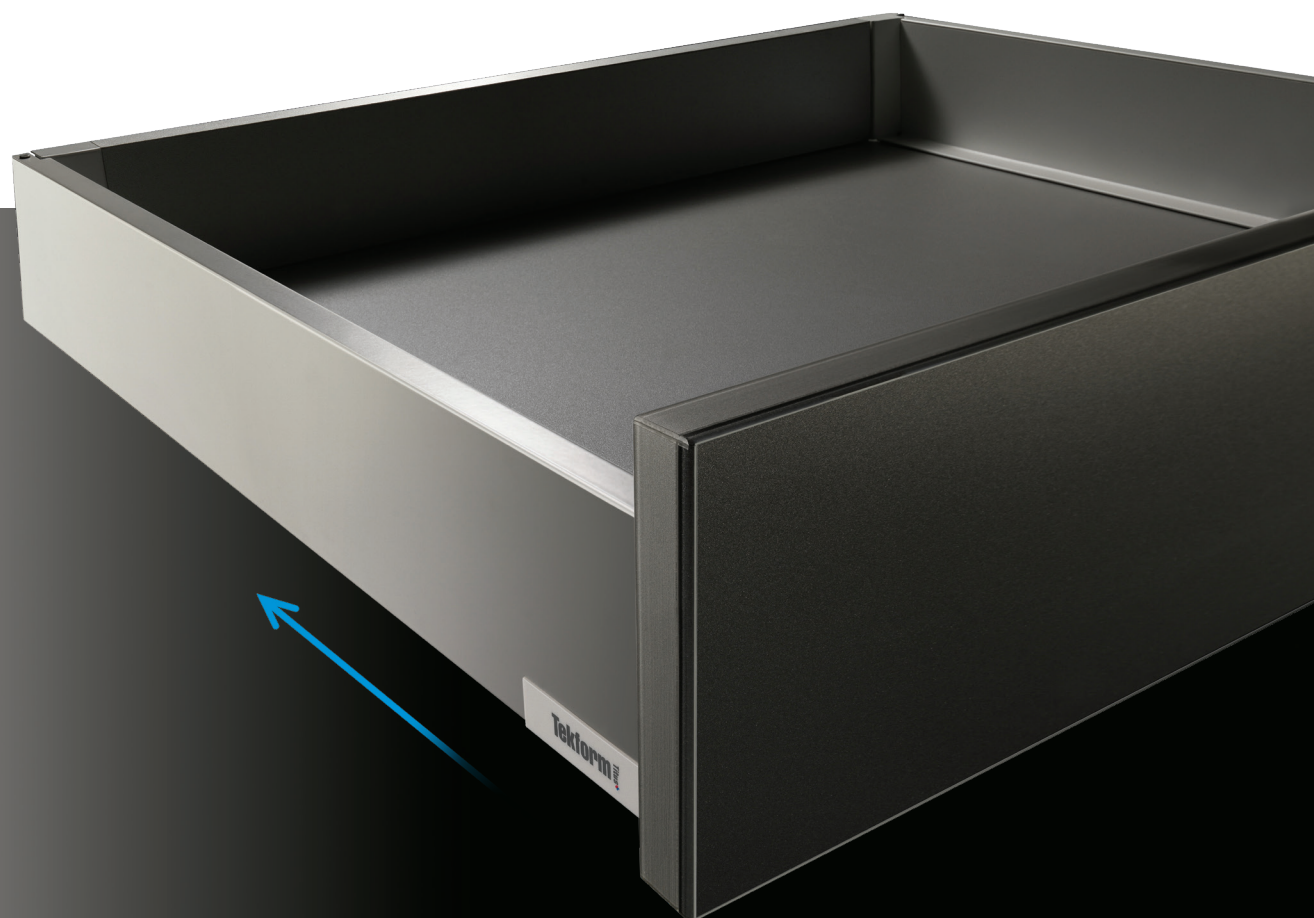
'EasyFix' front panel connector

- Hand insertion
- Quarter turn lock
- Repeatable assembly and disassembly possible

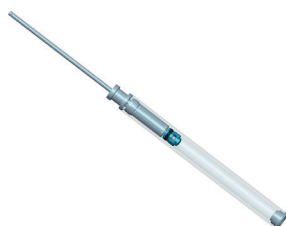


Flexibility of runner system

- Same machinery settings as Tekform Double Wall drawer
- Same drilling specifications as Tekform Double Wall drawer



bottom panel width
tolerance +/- 1mm



Expanded tolerances

- Precise drawer alignment
- Smooth and silent operating
- Improved drawer stability in open position
- +/-1mm tolerance on bottom panel width size

Integrated Titus damper

- Life-long consistent soft closing performance at various closing speeds
- 'ConfidentClose' - fast closing, late start deceleration action, quiet landing
- Low pull-out force

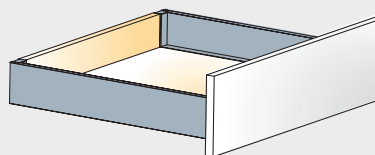
Tekform Slimline Drawer

Product Guide

Page

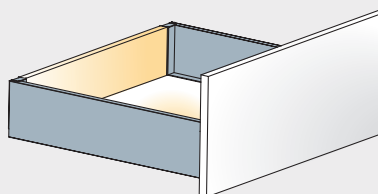
Tekform Slimline Drawer

Tekform Slimline drawer DW70



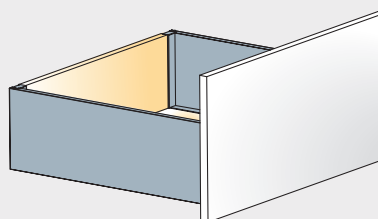
14

Tekform Slimline drawer DW100



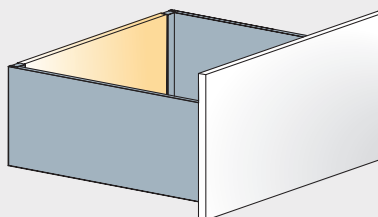
16

Tekform Slimline drawer DW145



18

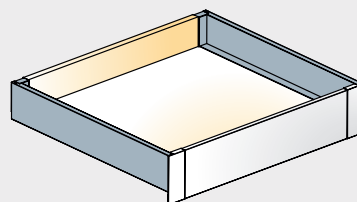
Tekform Slimline drawer DW182



20

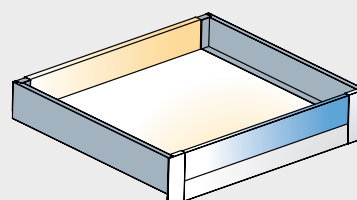
Inner Slimline Drawer Fronts

Inner drawer front for
Tekform Slimline drawer
DW70



22

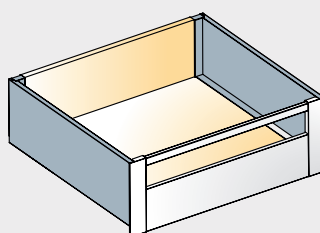
Inner drawer front for
Tekform Slimline drawer
DW70 with glass



24

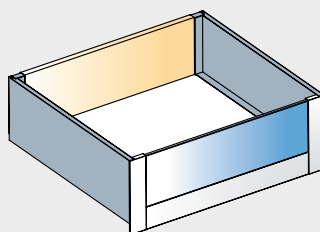
Page

Inner drawer front for
Tekform Slimline drawer
DW145 with bar



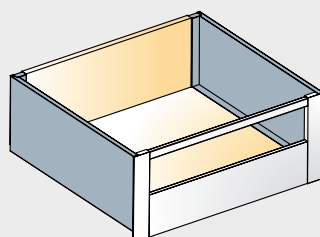
26

Inner drawer front for
Tekform Slimline drawer
DW145 with glass



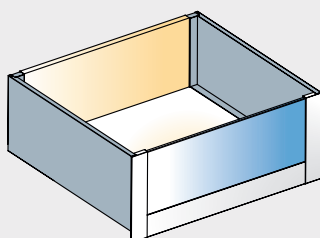
28

Inner drawer front for
Tekform Slimline drawer
DW182 with bar



30

Inner drawer front for
Tekform Slimline drawer
DW182 with glass



32

Tekform Slimline Drawer Information

Technical Guide

How to choose the appropriate drawer dimension?

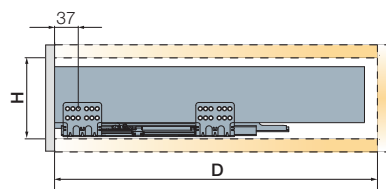
Select the drawer size based on available cabinet space. Please refer to the chart below with indicated minimum space

required in cabinet to assist in choosing the appropriate drawer system.

Tekform drawer nominal length (NL) in mm

| | | | | | | | |
|----|-----|-----|-----|-----|-----|-----|-----|
| NL | 270 | 300 | 350 | 400 | 450 | 500 | 550 |
|----|-----|-----|-----|-----|-----|-----|-----|

| | Tekform drawer | |
|--------------------------------------|--------------------------|-------------------|
| | Min. height (H) required | Cabinet depth (D) |
| Tekform slimline drawer DW70 | 115mm | NL+min 3mm |
| Tekform slimline drawer DW100 | 147mm | NL+min 3mm |
| Tekform slimline drawer DW145 | 198mm | NL+min 3mm |
| Tekform slimline drawer DW182 | 230mm | NL+min 3mm |



How to fix drawer sides to the front panel?

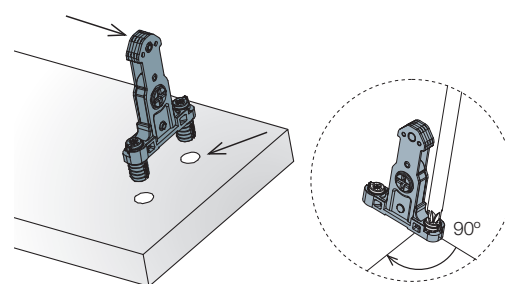


'EasyFix' front connector

The Tekform drawer is available with 'EasyFix' or screw-in front connectors

- hand insertion
- quarter turn locking system
- expandable plastic dowel
- easy assembly and disassembly of front panel

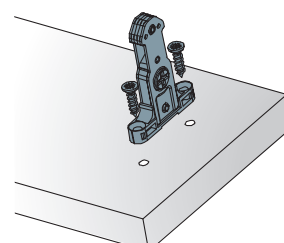
Front connector



Screw-in front connector

- reliable connection
- fixing with Ø3.5x15mm screw (screws are not included)

Front connector



Bottom panel and back panel cutting dimensions

Dimensions of bottom and back panel depends on:

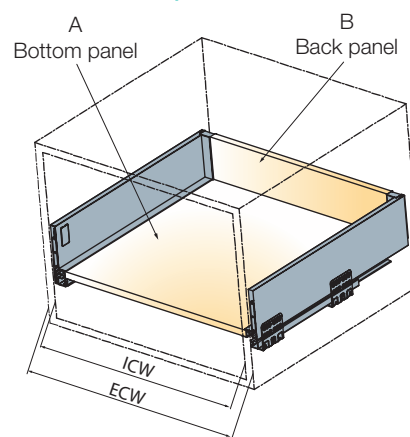
- cabinet width
- nominal drawer length
- drawer height

Tekform drawer nominal length (NL) in mm

| | | | | | | | |
|----|-----|-----|-----|-----|-----|-----|-----|
| NL | 270 | 300 | 350 | 400 | 450 | 500 | 550 |
|----|-----|-----|-----|-----|-----|-----|-----|

Cabinet width

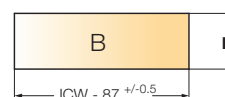
ECW: External cabinet width
ICW: Internal cabinet width
NL: Nominal length of drawer



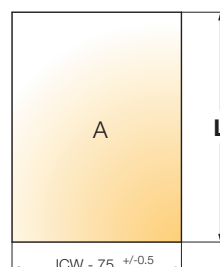
Back panel cutting dimensions

Back panel height depends on the selected drawer height

| | H back panel |
|---------------|--------------|
| SDW70 | 68 |
| SDW100 | 100 |
| SDW145 | 151 |
| SDW182 | 183 |



Bottom panel cutting dimensions



| | | | | | | | |
|----------|-----|-----|-----|-----|-----|-----|-----|
| NL | 270 | 300 | 350 | 400 | 450 | 500 | 550 |
| L | 260 | 290 | 340 | 390 | 440 | 490 | 540 |

NL= Tekform drawer nominal length (in mm)

Tekform Slimline Drawer Information

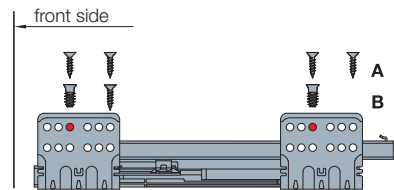
Technical Guide

How to choose the appropriate drawer runner fixing positions?

Drawer fixing positions depend on the chosen drawer front type.

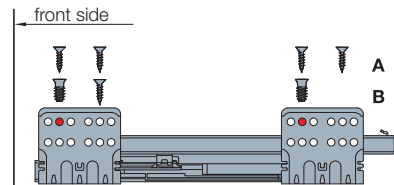
Tekform slimline drawer with standard front

When a standard drawer front is applied, use the third hole on the drawer runner for fixing.



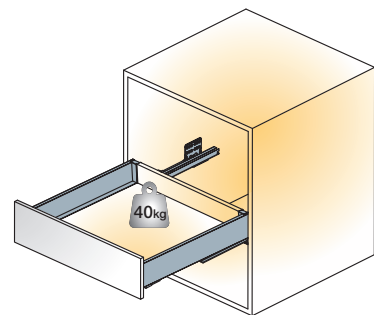
Tekform slimline drawer with inner front

When an inner drawer front is applied, use the second hole on the drawer runner for fixing.



Load capacity

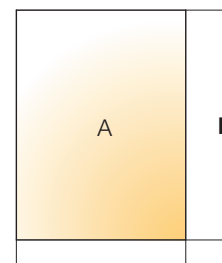
Drawer load capacity is 40 kg.



Expanded tolerances

Tekform drawers provide expanded tolerances in cabinet construction and assures:

- precise drawer alignment
- smooth and silent operating
- Improved drawer stability in open position
- Tekform drawer provides tolerance of +/- 1mm on bottom panel width size



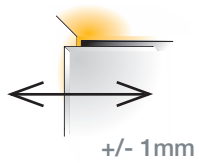
bottom panel width tolerance +/- 1mm



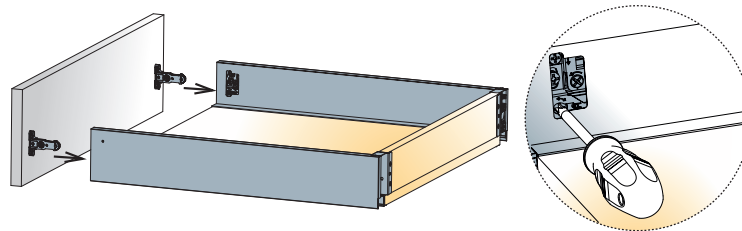
Adjustment needs to be done on both sides of the drawer

Adjustments

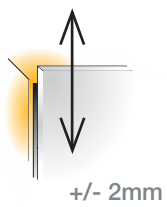
Side adjustment



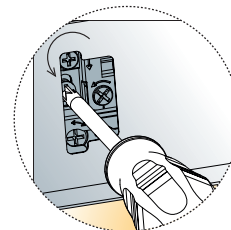
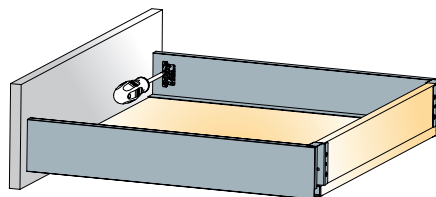
Side adjustment is done via the adjustment screw on the drawer side.



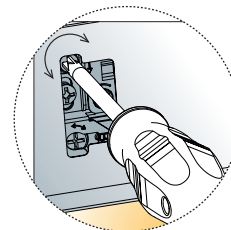
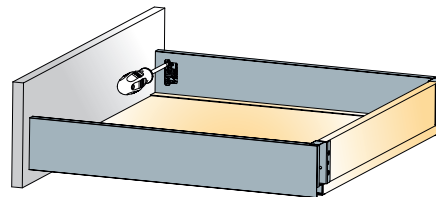
Height adjustment



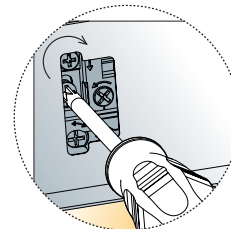
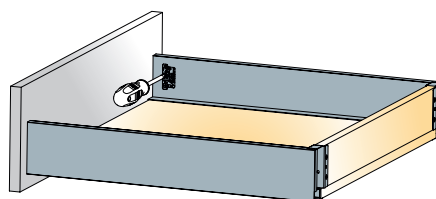
Height adjustment is done via the cam. First, release the locking screw and tighten it back after the front is adjusted.



Release



Adjust

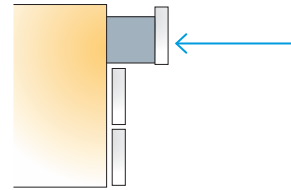


Tighten

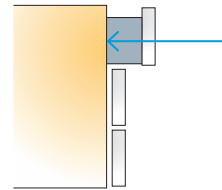
Key Design Choices

'ConfidentClose'

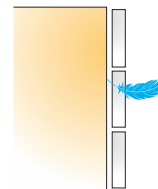
Fast closing



Late start of deceleration action



Quiet landing

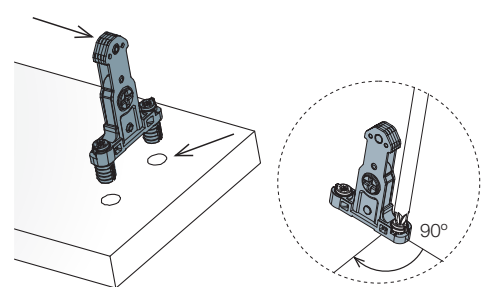


CAF Consumer Assembly Friendliness

'EasyFix' front panel connector with expandable plastic dowel provides:

- Quick, tool-free insertion
- Quarter turn lock
- Repeatable assembly and disassembly

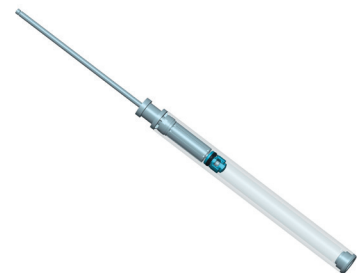
Front connector



Titus hydraulic damper

Designed and produced in-house

- Reliable and consistent life-long damping
- Smooth closing
- Dampers' consistency over high volume production runs assured
- 100% automated quality check



Damping action

Even and smooth soft closing action

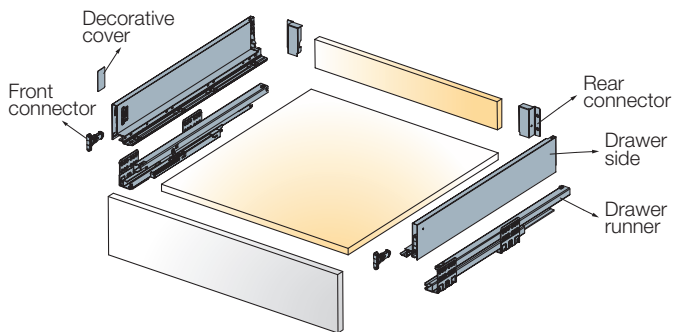
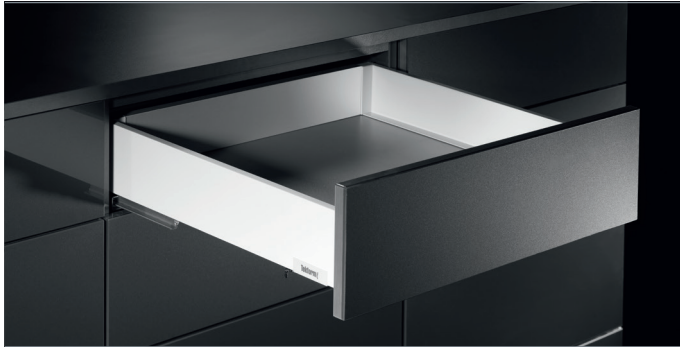
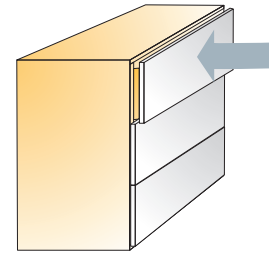
- Soft and reliable closing

Damping force

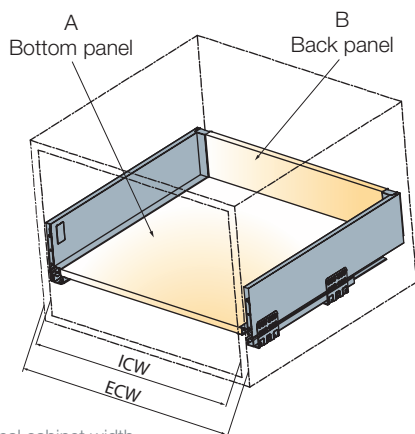


Flat damping curve shows the uniform action produced during damper closing at a defined speed.

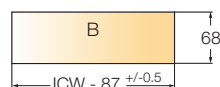
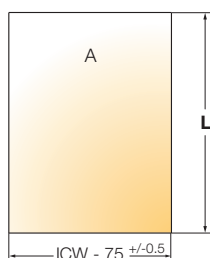
Tekform Slimline Drawer DW70



Cutting dimensions details



ECW: External cabinet width
ICW: Internal cabinet width
NL: Nominal length of drawer



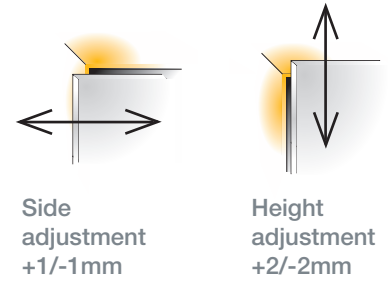
$L = NL - 10$
For further explanation → see page 9

| Nominal length (mm) | with EasyFix front connector | with Screw-in front connector | Color | |
|----------------------------|---------------------------------|----------------------------------|--------|----------------|
| | Item number for a set | Item number for a set | White | Antracite grey |
| 270 | 655.8T27 → | 655.8E27 → | 150.00 | 185.00 |
| 300 | 655.8T30 → | 655.8E30 → | 150.00 | 185.00 |
| 350 | 655.8T35 → | 655.8E35 → | 150.00 | 185.00 |
| 400 | 655.8T40 → | 655.8E40 → | 150.00 | 185.00 |
| 450 | 655.8T45 → | 655.8E45 → | 150.00 | 185.00 |
| 500 | 655.8T50 → | 655.8E50 → | 150.00 | 185.00 |
| 550 | 655.8T55 → | 655.8E55 → | 150.00 | 185.00 |
| One set consists of | | | | |
| | Drawer sides | | 2 pcs | |
| | Drawer runners | | 2 pcs | |
| | ^Front connectors | | 2 pcs | |
| | Rear connectors | | 2 pcs | |
| | Covers | | 2 pcs | |
| | Mounting instructions | | 1 pce | |

Screws not included. ^Front connectors determined by order code.

- Drawer runner type
- Load capacity
- Minimum height space required
- Wooden back panel thickness
- Wooden bottom panel thickness

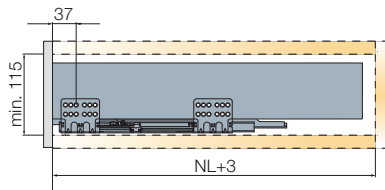
Full extension
40 kg
115mm
16mm
16mm



For further explanation → see page 11

Installation dimensions

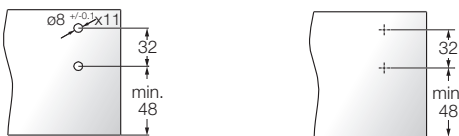
Minimum space required for the cabinet



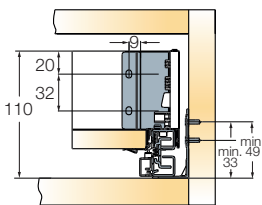
Drilling dimensions for the front panel

EasyFix attachment

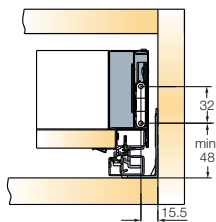
Screw-in attachment



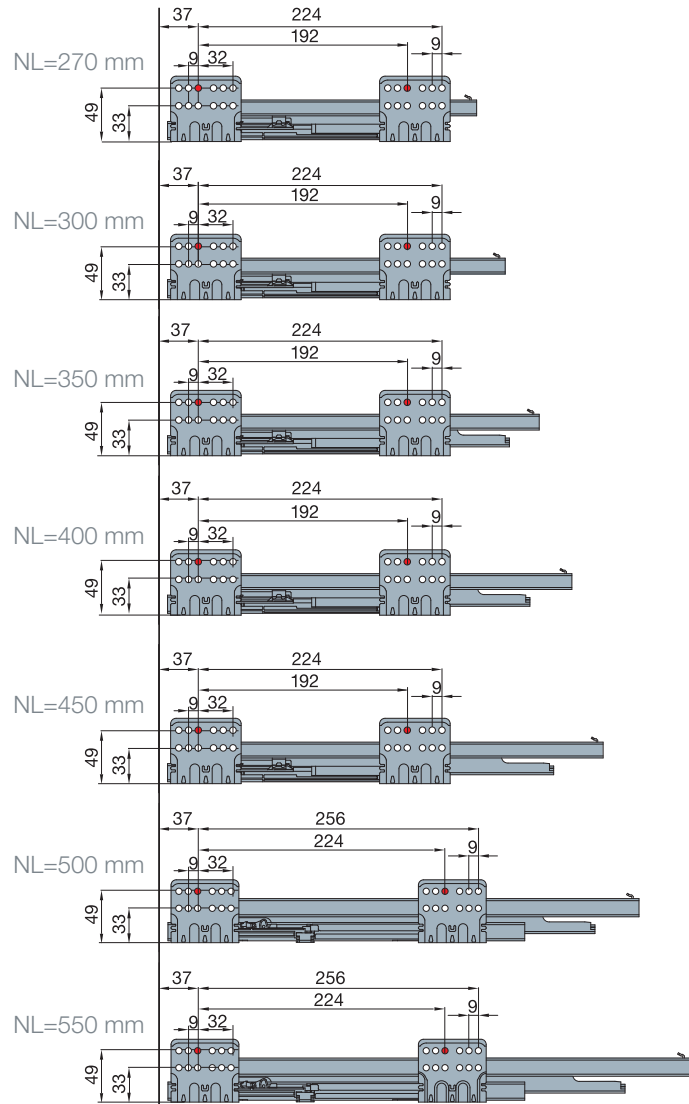
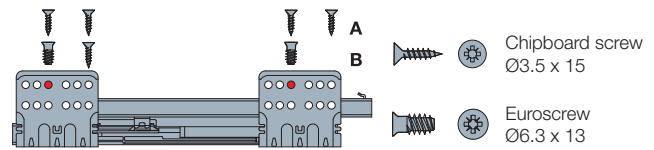
Mounting dimensions for the back panel



Installation dimensions for the front panel

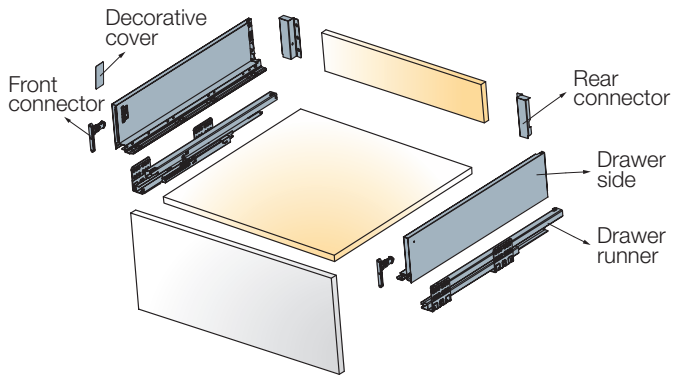
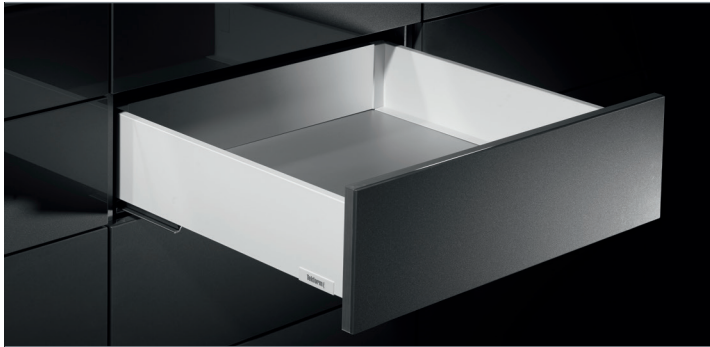
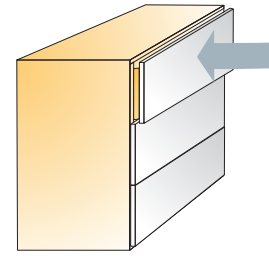


Drawer runner fixing positions

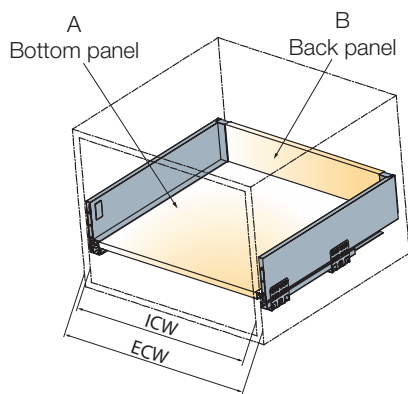


[!] A trial mounting is always recommended. For further information please contact Titus Tekform. Download supporting documentation from the Titus Tekform website titustekform.com.au

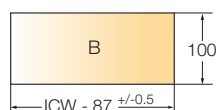
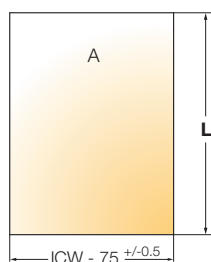
Tekform Slimline Drawer DW100



Cutting dimensions details



ECW: External cabinet width
ICW: Internal cabinet width
NL: Nominal length of drawer



$$L = NL - 10$$

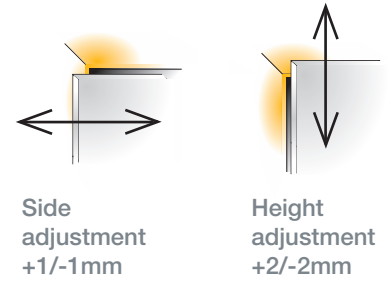
For further explanation → see page 9

| Nominal length (mm) | with EasyFix front connector | with Screw-in front connector | Color | |
|----------------------------|---------------------------------|---|--------|----------------|
| | Item number for a set | Item number for a set | White | Antracite grey |
| 270 | 655.8U27 → | 655.8F27 → | 150.00 | 185.00 |
| 300 | 655.8U30 → | 655.8F30 → | 150.00 | 185.00 |
| 350 | 655.8U35 → | 655.8F35 → | 150.00 | 185.00 |
| 400 | 655.8U40 → | 655.8F40 → | 150.00 | 185.00 |
| 450 | 655.8U45 → | 655.8F45 → | 150.00 | 185.00 |
| 500 | 655.8U50 → | 655.8F50 → | 150.00 | 185.00 |
| 550 | 655.8U55 → | 655.8F55 → | 150.00 | 185.00 |
| One set consists of | | | | |
| | Drawer sides |  | 2 pcs | |
| | Drawer runners |  | 2 pcs | |
| | ^Front connectors |  | 2 pcs | |
| | Rear connectors |  | 2 pcs | |
| | Covers |  | 2 pcs | |
| | Mounting instructions |  | 1 pce | |

Screws not included. ^Front connectors determined by order code.

- Drawer runner type
- Load capacity
- Minimum height per drawer required
- Wooden back panel thickness
- Wooden bottom panel thickness

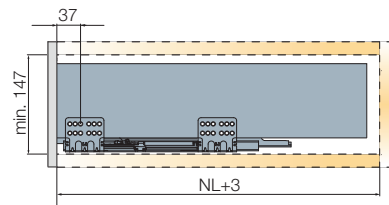
Full extension
40 kg
147mm
16mm
16mm



For further explanation → see page 11

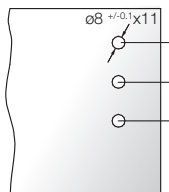
Installation dimensions

Minimum space required for the cabinet

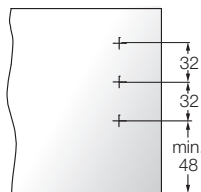


Drilling dimensions for the front panel

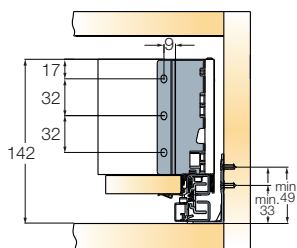
EasyFix attachment



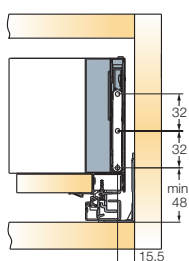
Screw-in attachment



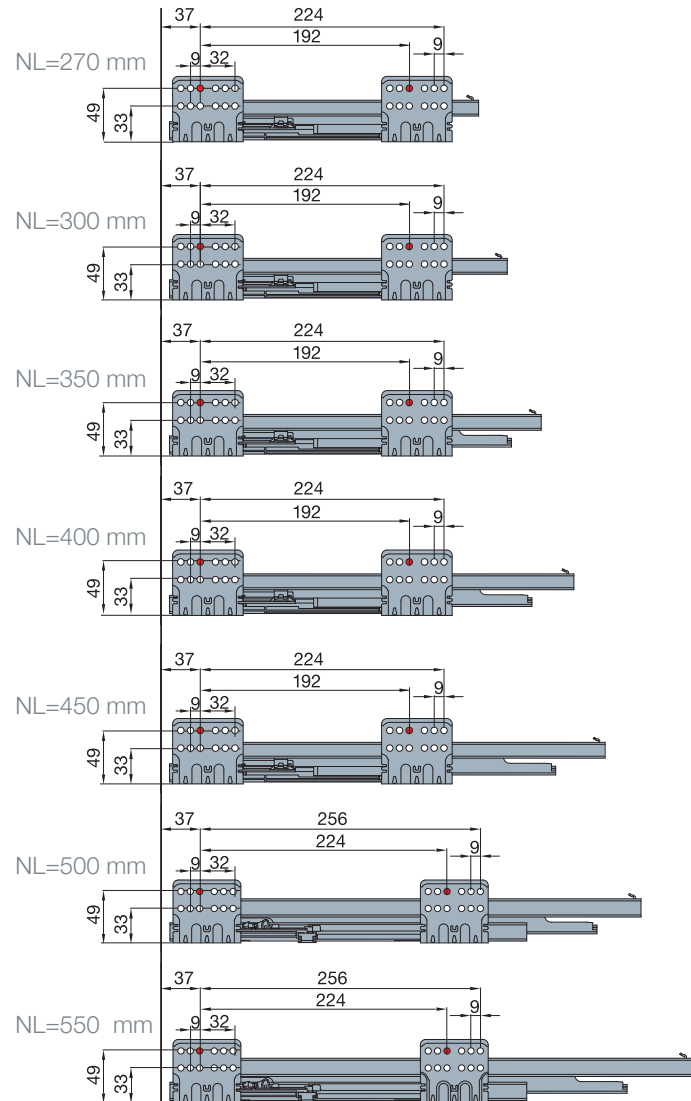
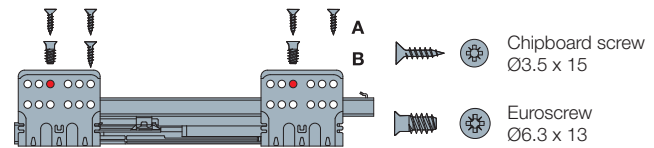
Mounting dimensions for the back panel



Installation dimensions for the front panel

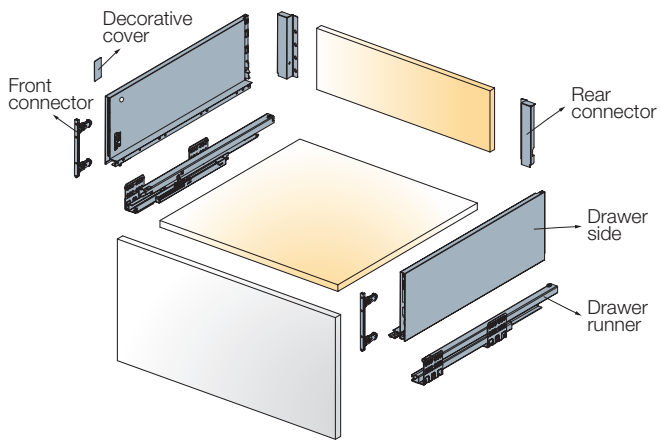
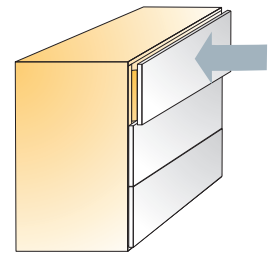


Drawer runner fixing positions

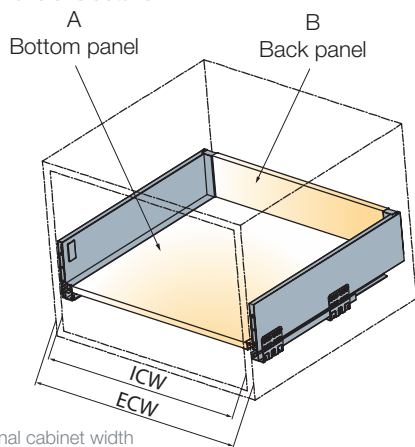


[!] A trial mounting is always recommended. For further information please contact Titus Tekform. Download supporting documentation from the Titus Tekform website titustekform.com.au

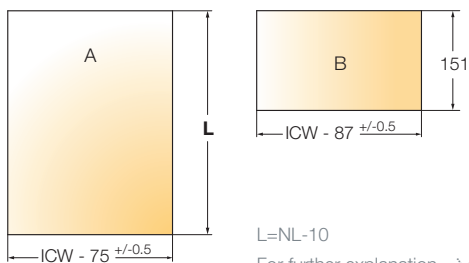
Tekform Slimline Drawer DW145



Cutting dimensions details



ECW: External cabinet width
ICW: Internal cabinet width
NL: Nominal length of drawer



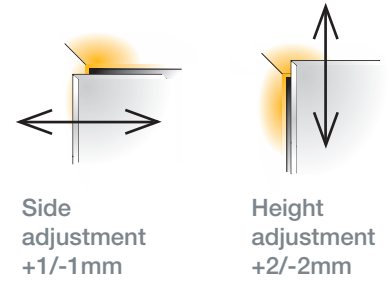
L = NL - 10
For further explanation → see page 9

| Nominal length (mm) | with EasyFix front connector | with Screw-in front connector | Color | |
|----------------------------|---------------------------------|---|--------|-------------------|
| | Item number for a set | Item number for a set | White | Antracite grey |
| 270 | 655.8V27 → | 655.8G27 → | 150.00 | 185.00 |
| 300 | 655.8V30 → | 655.8G30 → | 150.00 | 185.00 |
| 350 | 655.8V35 → | 655.8G35 → | 150.00 | 185.00 |
| 400 | 655.8V40 → | 655.8G40 → | 150.00 | 185.00 |
| 450 | 655.8V45 → | 655.8G45 → | 150.00 | 185.00 |
| 500 | 655.8V50 → | 655.8G50 → | 150.00 | 185.00 |
| 550 | 655.8V55 → | 655.8G55 → | 150.00 | 185.00 |
| One set consists of | | | | |
| | Drawer sides |  | 2 pcs | |
| | Drawer runners |  | 2 pcs | |
| | ^Front connectors |  | 2 pcs | |
| | Rear connectors |  | 2 pcs | |
| | Covers |  | 2 pcs | |
| | Mounting instructions |  | 1 pce | |

Screws not included. ^Front connectors determined by order code.

- Drawer runner type
- Load capacity
- Minimum height per drawer required
- Wooden back panel thickness
- Wooden bottom panel thickness

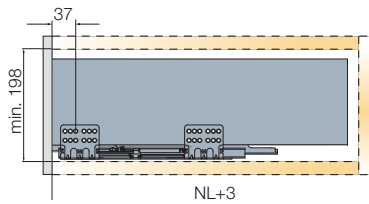
Full extension
40 kg
198mm
16mm
16mm



For further explanation → see page 11

Installation dimensions

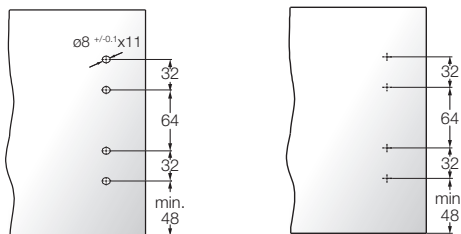
Minimum space required for the cabinet



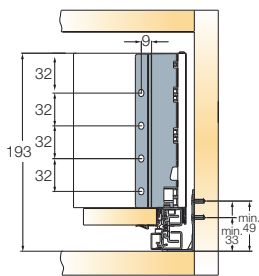
Drilling dimensions for the front panel

EasyFix attachment

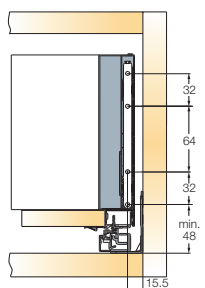
Screw-in attachment



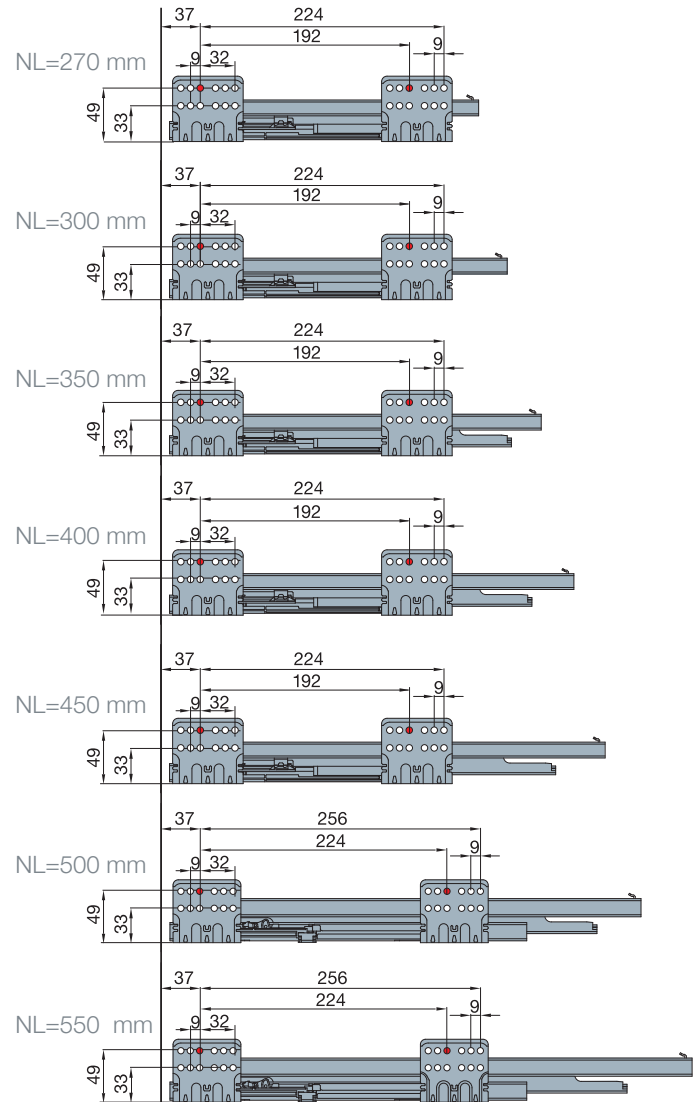
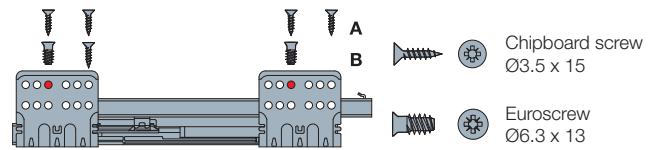
Mounting dimensions for the back panel



Installation dimensions for the front panel

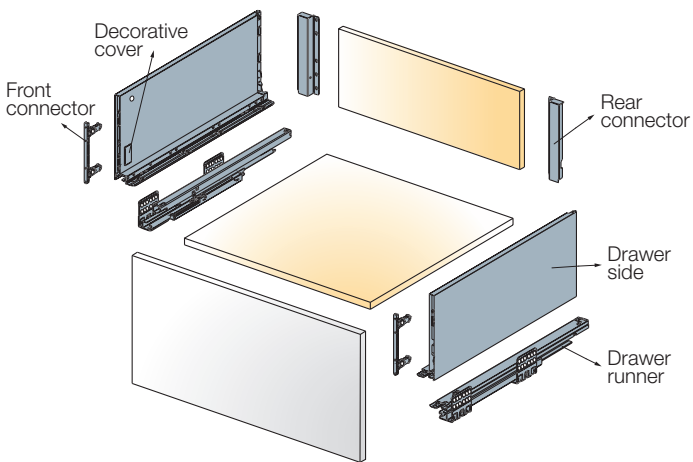
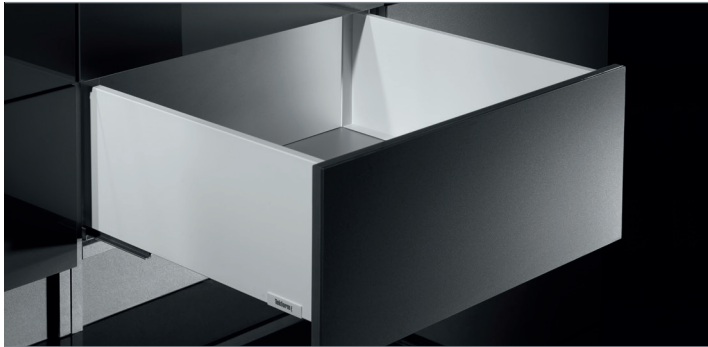
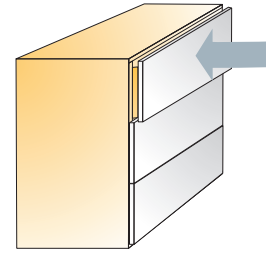


Drawer runner fixing positions

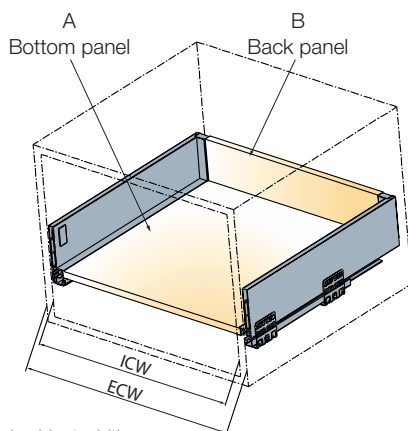


[!] A trial mounting is always recommended. For further information please contact Titus Tekform. Download supporting documentation from the Titus Tekform website titustekform.com.au

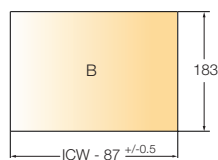
Tekform Slimline Drawer DW182



Cutting dimensions details



ECW: External cabinet width
ICW: Internal cabinet width
NL: Nominal length of drawer



L=NL-10

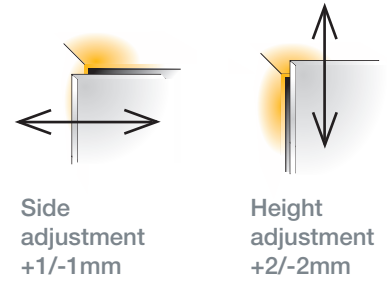
For further explanation → see page 9

| Nominal length (mm) | with EasyFix front connector | with Screw-in front connector | | |
|----------------------------|---------------------------------|---|--------|----------------|
| | Item number for a set | Item number for a set | White | Antracite grey |
| 270 | 655.8Z27 → | 655.8H27 → | 150.00 | 185.00 |
| 300 | 655.8Z30 → | 655.8H30 → | 150.00 | 185.00 |
| 350 | 655.8Z35 → | 655.8H35 → | 150.00 | 185.00 |
| 400 | 655.8Z40 → | 655.8H40 → | 150.00 | 185.00 |
| 450 | 655.8Z45 → | 655.8H45 → | 150.00 | 185.00 |
| 500 | 655.8Z50 → | 655.8H50 → | 150.00 | 185.00 |
| 550 | 655.8Z55 → | 655.8H55 → | 150.00 | 185.00 |
| One set consists of | | | | |
| | Drawer sides |  | 2 pcs | |
| | Drawer runners |  | 2 pcs | |
| | ^Front connectors |  | 2 pcs | |
| | Rear connectors |  | 2 pcs | |
| | Covers |  | 2 pcs | |
| | Mounting instructions |  | 1 pce | |

Screws not included. ^Front connectors determined by order code.

- Drawer runner type
- Load capacity
- Minimum height per drawer required
- Wooden back panel thickness
- Wooden bottom panel thickness

Full extension
40kg
230mm
16mm
16mm

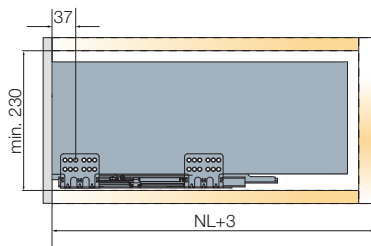


For further explanation → see page 11

Installation dimensions

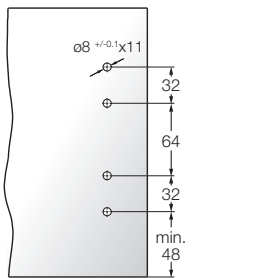
Drawer runner fixing positions

Minimum space required for the cabinet

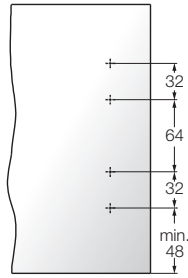


Drilling dimensions for the front panel

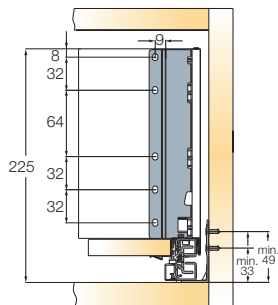
EasyFix attachment



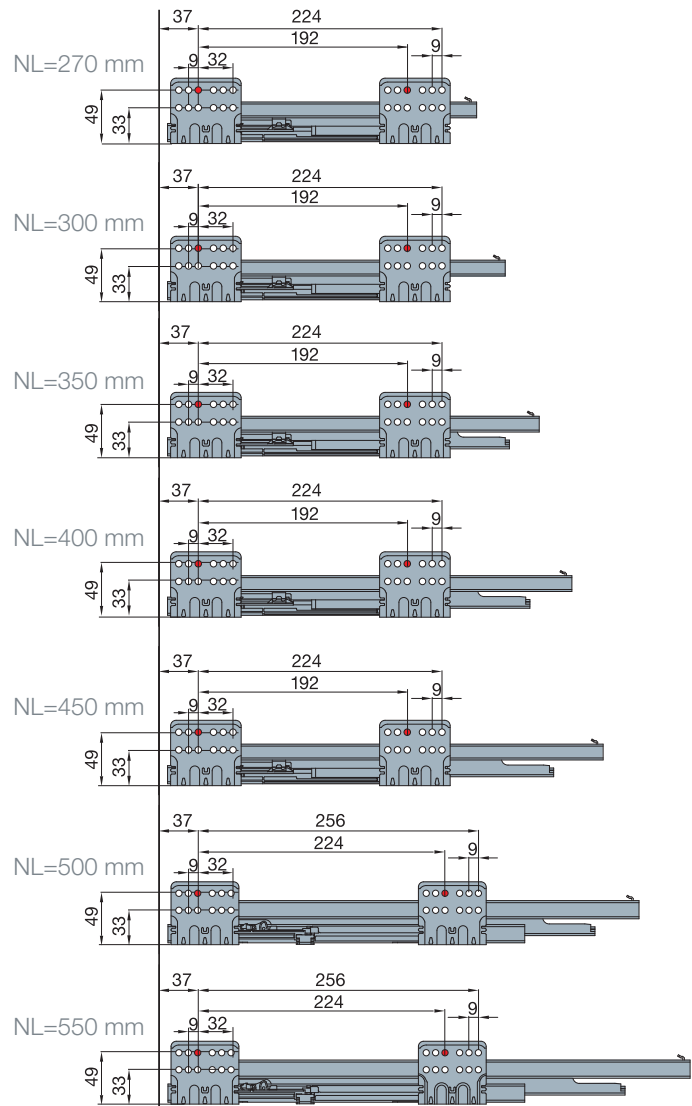
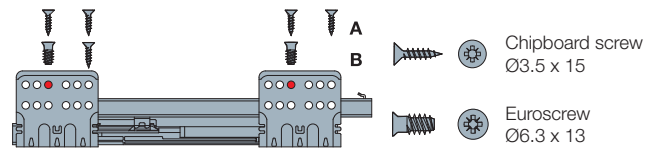
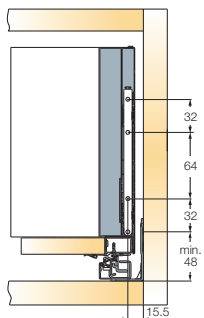
Screw-in attachment



Mounting dimensions for the back panel

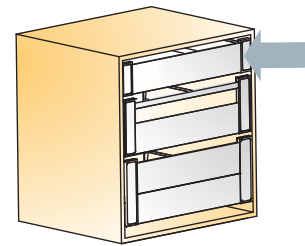


Installation dimensions for the front panel



[!] A trial mounting is always recommended. For further information please contact Titus Tekform. Download supporting documentation from the Titus Tekform website titustekform.com.au

Inner Drawer Front for Tekform Slimline Drawer DW70

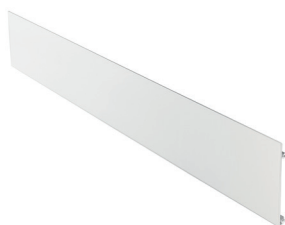


Inner drawer front, assembly set



Made of aluminium and plastic

Front panel



Cutting dimension= ICW-100

ICW > see page 23

Made of aluminium

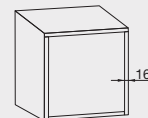
Front bracket



Made of aluminium and plastic

Cabinet side thickness=16mm

External cabinet width (mm)



Item number

White

Antracite grey

| External cabinet width (mm) | Item number | White | Antracite grey |
|-----------------------------|-------------|-------|----------------|
| 400 | 655.8177 → | 511 | 515 |
| 450 | 655.8178 → | 511 | 515 |
| 500 | 655.8179 → | 511 | 515 |
| 600 | 655.8180 → | 511 | 515 |
| 800 | 655.8181 → | 511 | 515 |
| 900 | 655.8182 → | 511 | 515 |
| 1000 | 655.8183 → | 511 | 515 |
| 1200 | 655.8184 → | 511 | 515 |

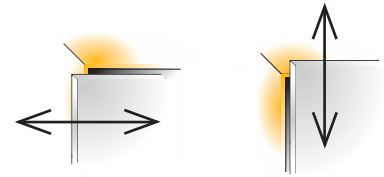
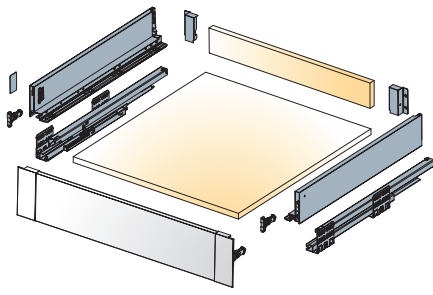
| | | | |
|------|------------|-----|-----|
| 600 | 655.8185 → | 511 | 515 |
| 800 | 655.8186 → | 511 | 515 |
| 900 | 655.8187 → | 511 | 515 |
| 1000 | 655.8188 → | 511 | 515 |
| 1200 | 655.8189 → | 511 | 515 |

| | | | |
|--|------------|-----|-----|
| | 655.8065 → | 150 | 185 |
|--|------------|-----|-----|



Bottom panel support

650.8908.350 white
650.8908.385 grey



Side adjustment
+1/-1mm

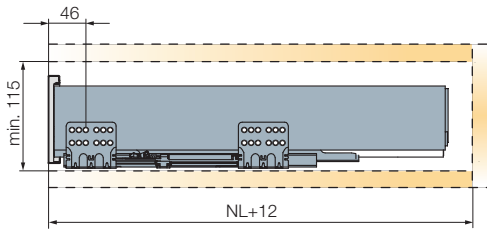
Height adjustment
+2/-2mm

For further explanation → see page 11-12

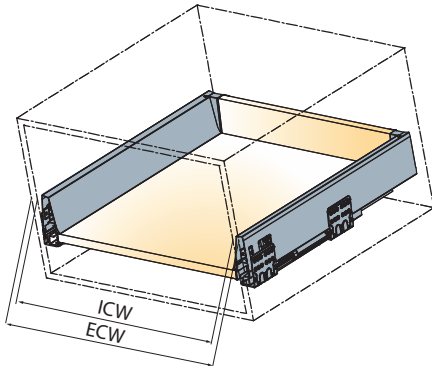
Installation dimensions

Drawer runner fixing positions

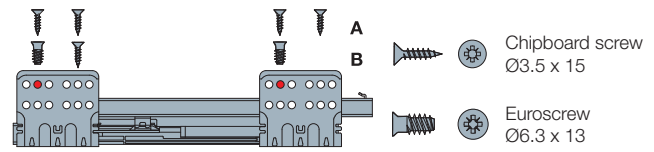
Minimum space required for the cabinet



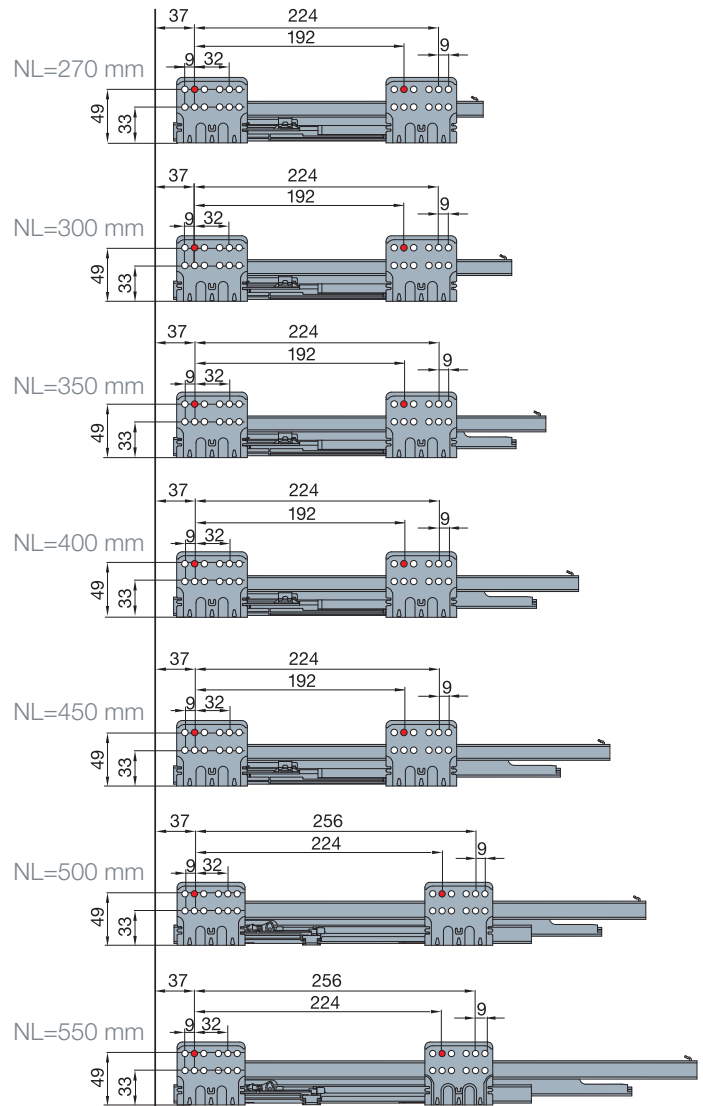
Cutting dimensions details



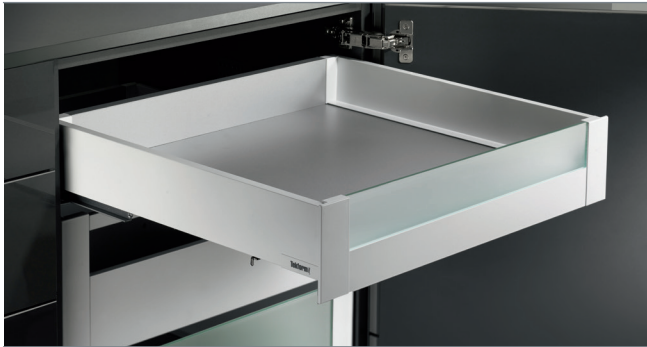
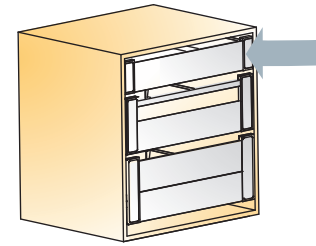
ECW: External cabinet width
ICW: Internal cabinet width
NL: Nominal length of drawer



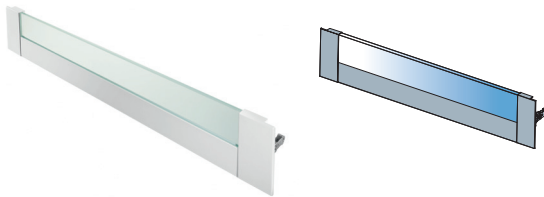
⚠ Use the second hole for runner fixing.



Inner Drawer Front for Tekform Slimline Drawer DW70 with Glass



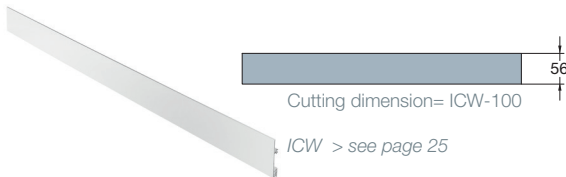
Inner drawer front, assembly set



Made of aluminium and glass

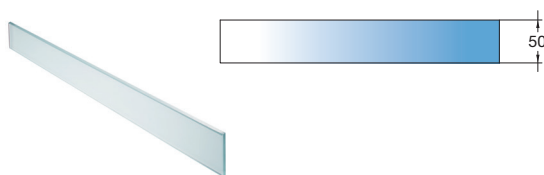
| External cabinet width | Cabinet side thickness=16mm | Glass options | | | |
|------------------------|-----------------------------|---------------|----------------|--------------|-------------------|
| | | White | Antracite grey | Frosted glas | Transparent glass |
| 400 | 655.8306 → | 511 | 515 | | |
| 450 | 655.8307 → | 511 | 515 | | |
| 500 | 655.8308 → | 511 | 515 | | |
| 600 | 655.8285 → | 511 | 515 | | |
| 800 | 655.8286 → | 511 | 515 | | |
| 900 | 655.8287 → | 511 | 515 | | |
| 1000 | 655.8288 → | 511 | 515 | | |
| 1200 | 655.8289 → | 511 | 515 | | |
| Front panel | | | | | |
| 600 | 655.8205 → | 511 | 515 | | |
| 800 | 655.8206 → | 511 | 515 | | |
| 900 | 655.8207 → | 511 | 515 | | |
| 1000 | 655.8208 → | 511 | 515 | | |
| 1200 | 655.8209 → | 511 | 515 | | |
| Low glass | | | | | |
| 600 | 655.8295 → | | | 391 | 392 |
| 800 | 655.8296 → | | | 391 | 392 |
| 900 | 655.8297 → | | | 391 | 392 |
| 1000 | 655.8298 → | | | 391 | 392 |
| 1200 | 655.8299 → | | | 391 | 392 |
| Front bracket | | | | | |
| | 655.8305 → | 150 | 185 | | |

Front panel



Made of aluminium

Low glass



Made of glass

Front bracket

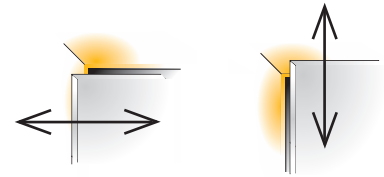
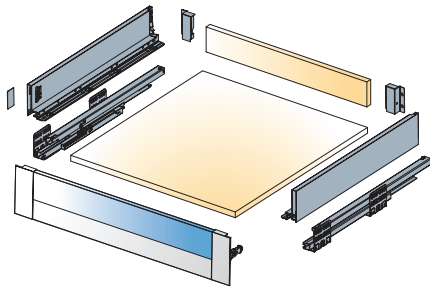


Made of aluminium and plastic



Bottom panel support

650.8908.350 white
650.8908.385 grey



Side adjustment
+1/-1mm

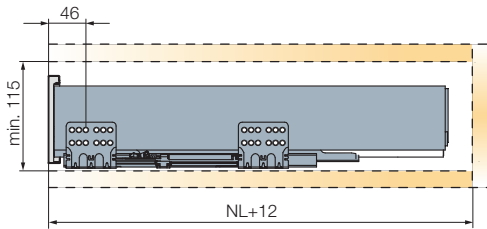
Height adjustment
+2/-2mm

For further explanation → see page 11-12

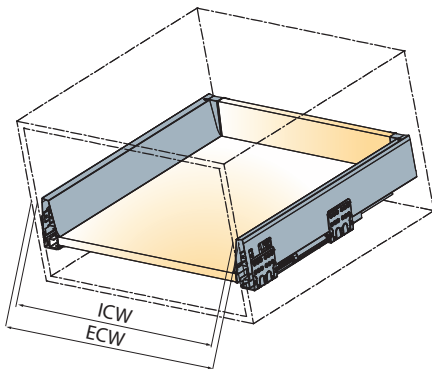
Installation dimensions

Drawer runner fixing positions

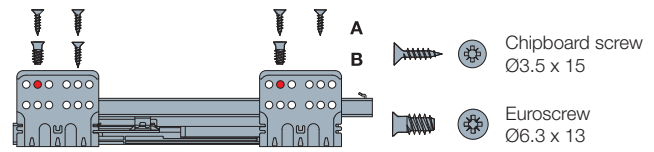
Minimum space required for the cabinet



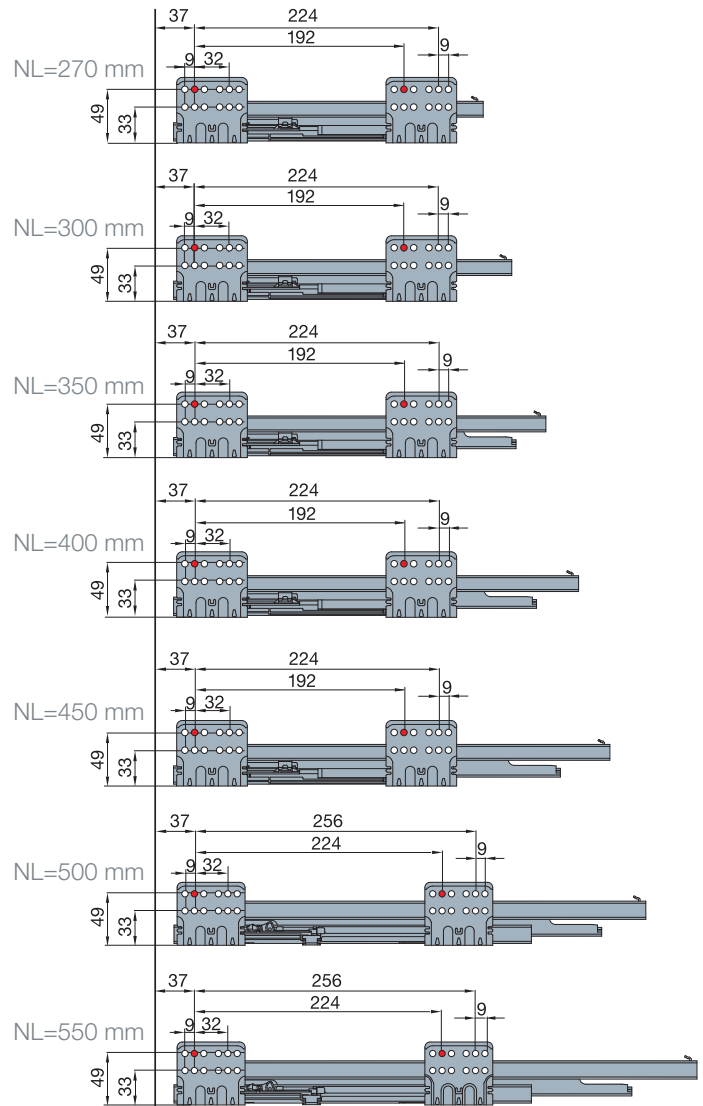
Cutting dimensions details



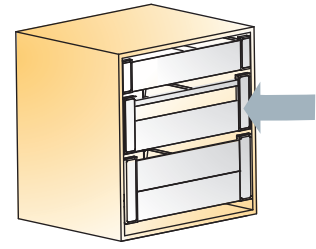
ECW: External cabinet width
ICW: Internal cabinet width
NL: Nominal length of drawer



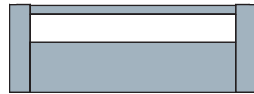
⚠ Use the second hole for runner fixing.



Inner Drawer Front for Tekform Slimline Drawer DW145 with Bar



Inner drawer front, assembly set



Made of aluminium and plastic

Front bar

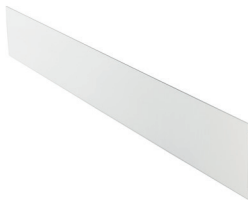


Cutting dimension= ICW-88

ICW > see page 27

Made of aluminium

Front panel



Cutting dimension= ICW-100

ICW > see page 27

Made of aluminium

Front bracket



Made of aluminium and plastic

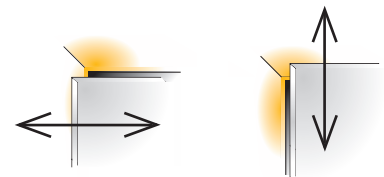
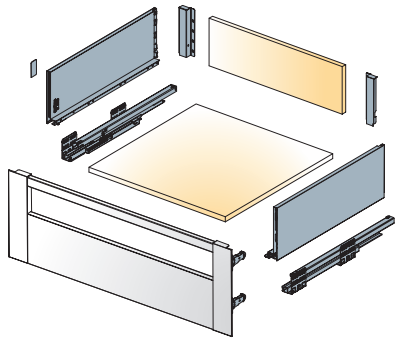
| External cabinet width | Cabinet side thickness=16mm | | | |
|------------------------|-----------------------------|----------------|-----|-----|
| | White | Antracite grey | | |
| | | | | |
| Item number | | | | |
| 400 | 655.8309 → | | 511 | 515 |
| 450 | 655.8310 → | | 511 | 515 |
| 500 | 655.8311 → | | 511 | 515 |
| 600 | 655.8190 → | | 511 | 515 |
| 800 | 655.8191 → | | 511 | 515 |
| 900 | 655.8192 → | | 511 | 515 |
| 1000 | 655.8193 → | | 511 | 515 |
| 1200 | 655.8194 → | | 511 | 515 |
| 600 | 655.8210 → | | 511 | 515 |
| 800 | 655.8211 → | | 511 | 515 |
| 900 | 655.8212 → | | 511 | 515 |
| 1000 | 655.8213 → | | 511 | 515 |
| 1200 | 655.8214 → | | 511 | 515 |
| 600 | 655.8185 → | | 511 | 515 |
| 800 | 655.8186 → | | 511 | 515 |
| 900 | 655.8187 → | | 511 | 515 |
| 1000 | 655.8188 → | | 511 | 515 |
| 1200 | 655.8189 → | | 511 | 515 |
| | 655.8101 → | | 350 | 385 |



Bottom panel support

650.8908.350 white

650.8908.385 grey



Side adjustment
+1/-1mm

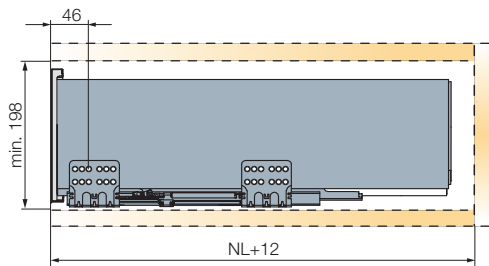
Height adjustment
+2/-2mm

For further explanation → see page 11-12

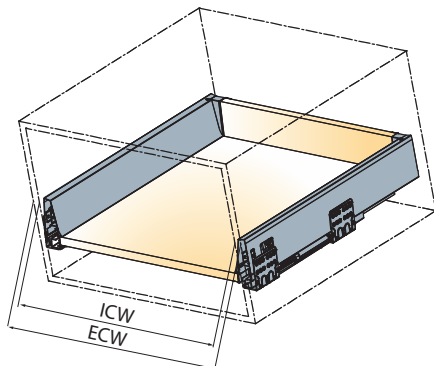
Installation dimensions

Drawer runner fixing positions

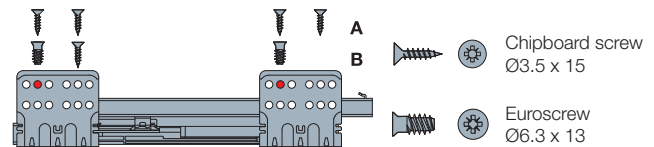
Minimum space required for the cabinet



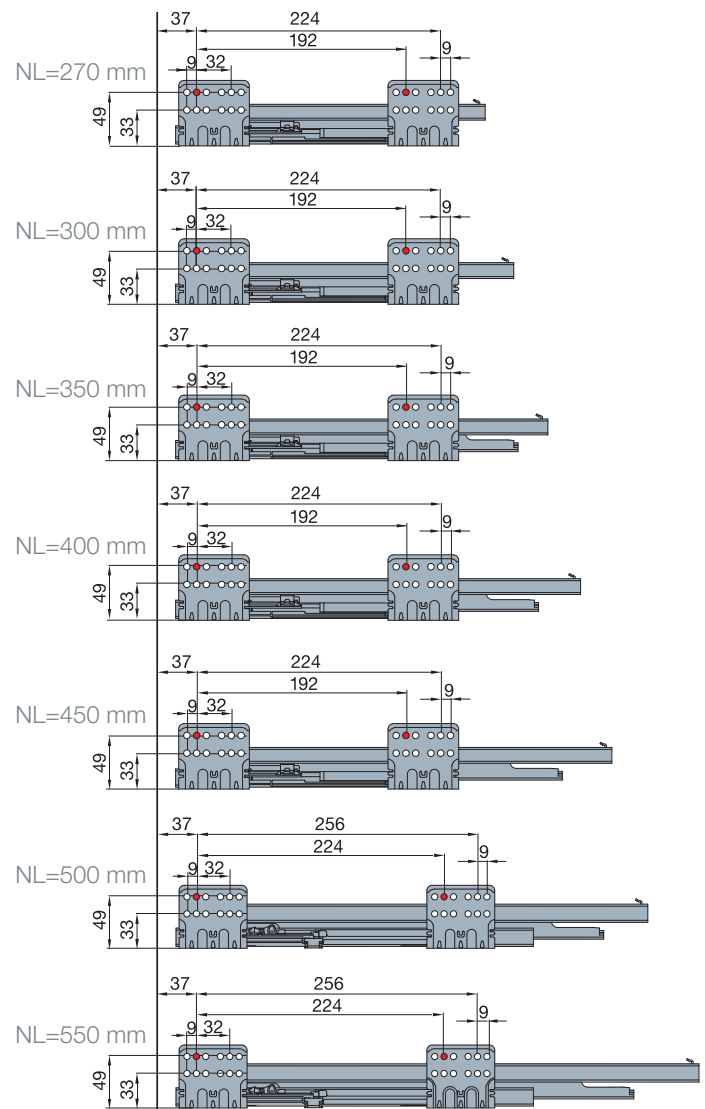
Cutting dimensions details



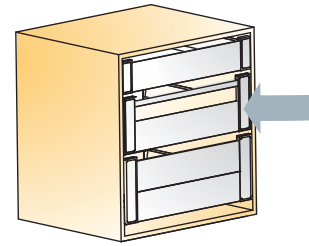
ECW: External cabinet width
ICW: Internal cabinet width
NL: Nominal length of drawer



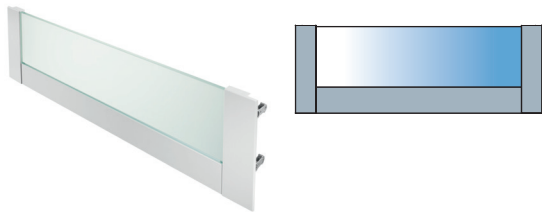
⚠ Use the second hole for runner fixing.



Inner Drawer Front for Tekform Slimline Drawer DW145 with Glass

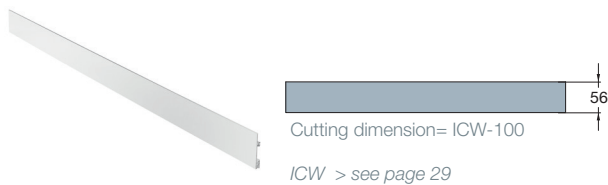


Inner drawer front, assembly set



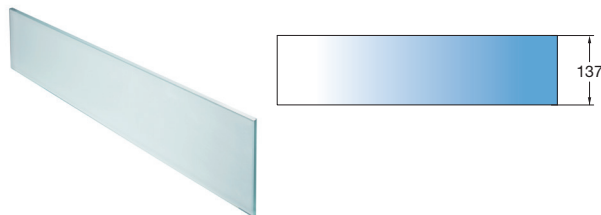
Made of aluminium and glass

Front panel



Made of aluminium

Front glass panel - high



Made of glass

Front bracket



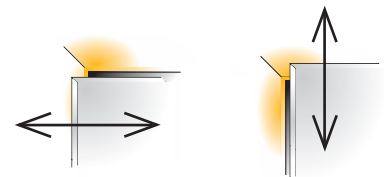
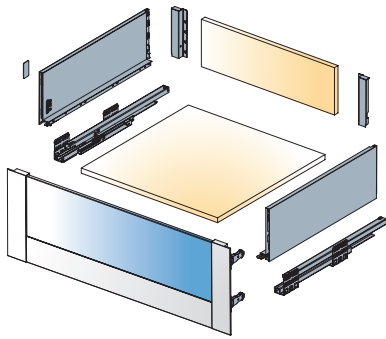
Made of aluminium and plastic

| External cabinet width | Cabinet side thickness=16mm | Item number | Glass options | | | |
|------------------------|-----------------------------|-------------|---------------|----------------|---------------|-------------------|
| | | | White | Antracite grey | Frosted glass | Transparent glass |
| 400 | | 655.8312 → | 511 | 515 | | |
| 450 | | 655.8313 → | 511 | 515 | | |
| 500 | | 655.8314 → | 511 | 515 | | |
| 600 | | 655.8200 → | 511 | 515 | | |
| 800 | | 655.8201 → | 511 | 515 | | |
| 900 | | 655.8202 → | 511 | 515 | | |
| 1000 | | 655.8203 → | 511 | 515 | | |
| 1200 | | 655.8204 → | 511 | 515 | | |
| 600 | | 655.8205 → | 511 | 515 | | |
| 800 | | 655.8206 → | 511 | 515 | | |
| 900 | | 655.8207 → | 511 | 515 | | |
| 1000 | | 655.8208 → | 511 | 515 | | |
| 1200 | | 655.8209 → | 511 | 515 | | |
| 600 | | 655.8220 → | | | 391 | 392 |
| 800 | | 655.8221 → | | | 391 | 392 |
| 900 | | 655.8222 → | | | 391 | 392 |
| 1000 | | 655.8223 → | | | 391 | 392 |
| 1200 | | 655.8224 → | | | 391 | 392 |
| | | 655-8103 → | 350 | 385 | | |



Bottom panel support

650.8908.350 white
650.8908.385 grey



Side adjustment
+1/-1mm

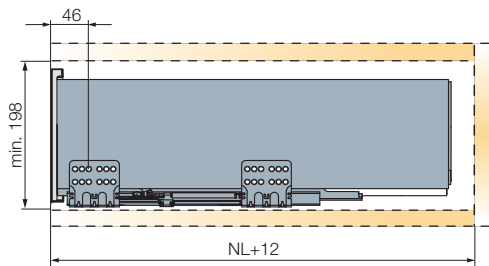
Height adjustment
+2/-2mm

For further explanation → see page 11-12

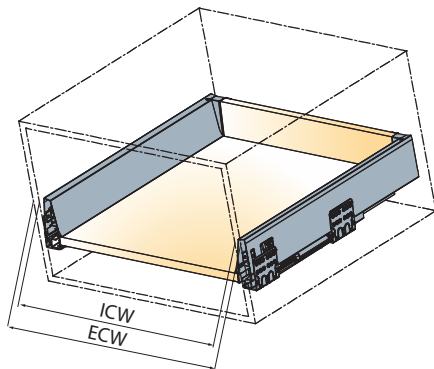
Installation dimensions

Drawer runner fixing positions

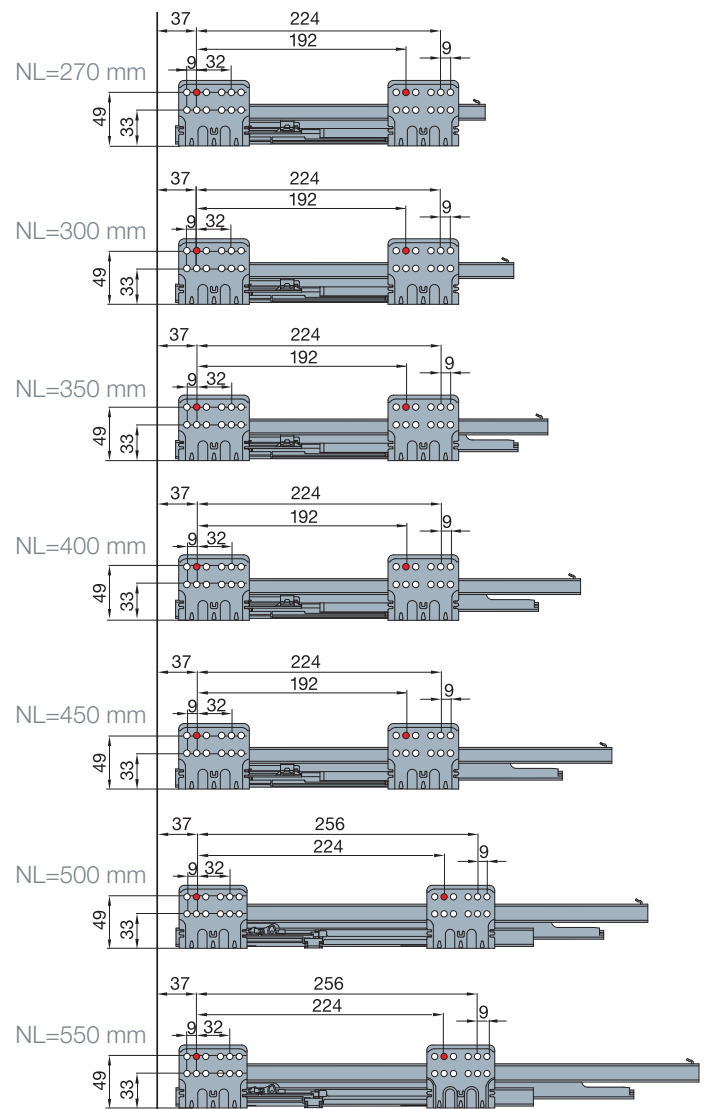
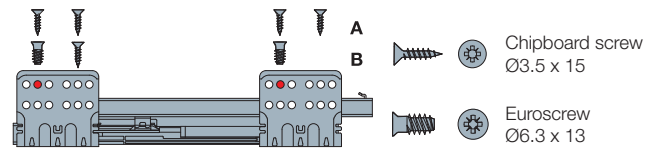
Minimum space required for the cabinet



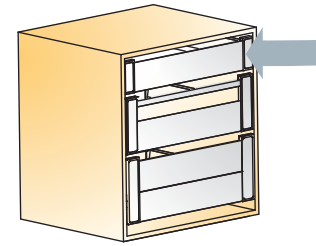
Cutting dimensions details



ECW: External cabinet width
ICW: Internal cabinet width
NL: Nominal length of drawer



Inner Drawer Front for Tekform Slimline Drawer DW182 with Bar



Inner drawer front, assembly set



Made of aluminium and plastic

Front bar

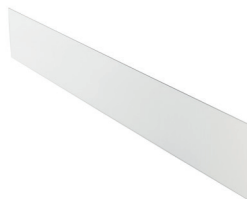


Cutting dimension= ICW-88

ICW > see page 31

Made of aluminium

Front panel



Cutting dimension= ICW-100

ICW > see page 31

Made of aluminium

Front bracket



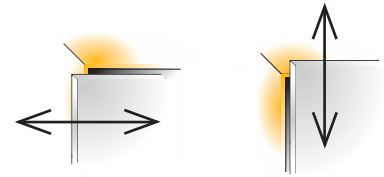
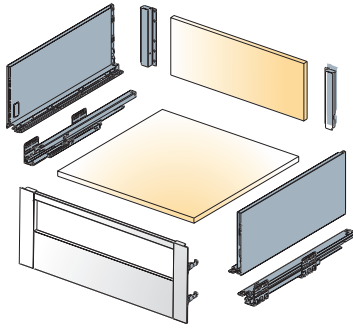
Made of aluminium and plastic

| External cabinet width | Cabinet side thickness=16mm | | Color | |
|------------------------|-----------------------------|--|-------|----------------|
| | Item number | | White | Antracite grey |
| 400 | 655.8315 → | | 511 | 515 |
| 450 | 655.8316 → | | 511 | 515 |
| 500 | 655.8317 → | | 511 | 515 |
| 600 | 655.8260 → | | 511 | 515 |
| 800 | 655.8261 → | | 511 | 515 |
| 900 | 655.8262 → | | 511 | 515 |
| 1000 | 655.8263 → | | 511 | 515 |
| 1200 | 655.8264 → | | 511 | 515 |
| 600 | 655.8210 → | | 511 | 515 |
| 800 | 655.8211 → | | 511 | 515 |
| 900 | 655.8212 → | | 511 | 515 |
| 1000 | 655.8213 → | | 511 | 515 |
| 1200 | 655.8214 → | | 511 | 515 |
| 600 | 655.8185 → | | 511 | 515 |
| 800 | 655.8186 → | | 511 | 515 |
| 900 | 655.8187 → | | 511 | 515 |
| 1000 | 655.8188 → | | 511 | 515 |
| 1200 | 655.8189 → | | 511 | 515 |
| | 655.8170 → | | 350 | 385 |



Bottom panel support

650.8908.350 white
650.8908.385 grey



Side adjustment
+1/-1mm

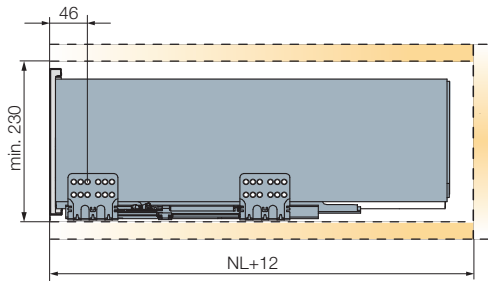
Height adjustment
+2/-2mm

For further explanation → see page 11-12

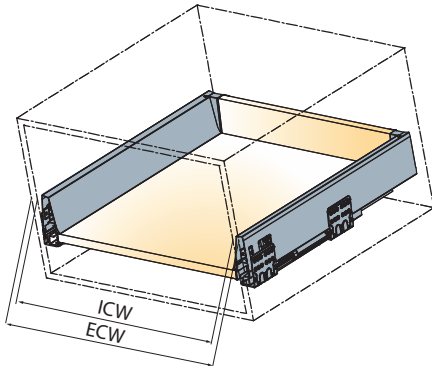
Installation dimensions

Drawer runner fixing positions

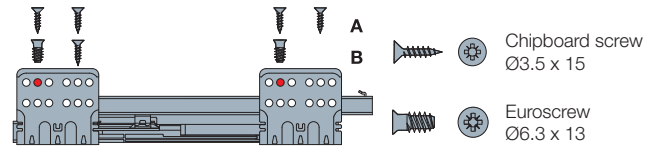
Minimum space required for the cabinet



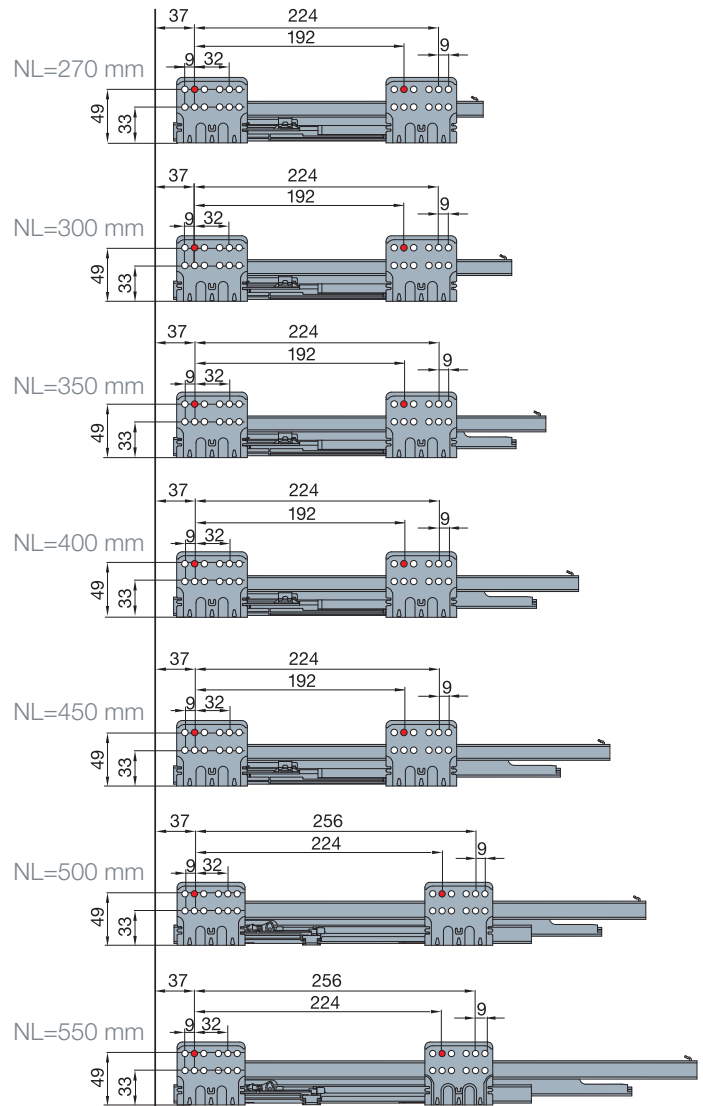
Cutting dimensions details



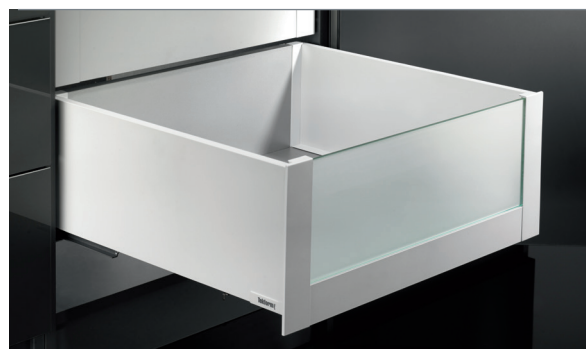
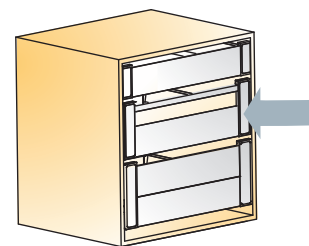
ECW: External cabinet width
ICW: Internal cabinet width
NL: Nominal length of drawer



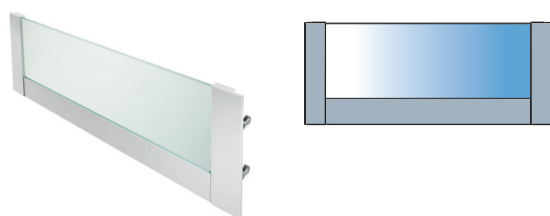
⚠ Use the second hole for runner fixing.



Inner Drawer Front for Tekform Slimline Drawer DW182 with Glass



Inner drawer front, assembly set



Made of aluminium and glass

| External cabinet width | Cabinet side thickness=16mm | Glass options | | | |
|------------------------|-----------------------------|---------------|----------------|--------------|-------------------|
| | | White | Antracite grey | Frosted glas | Transparent glass |
| 400 | 655.8321 → | 511 | 515 | | |
| 450 | 655.8322 → | 511 | 515 | | |
| 500 | 655.8323 → | 511 | 515 | | |
| 600 | 655.8270 → | 511 | 515 | | |
| 800 | 655.8271 → | 511 | 515 | | |
| 900 | 655.8272 → | 511 | 515 | | |
| 1000 | 655.8273 → | 511 | 515 | | |
| 1200 | 655.8274 → | 511 | 515 | | |

| Front panel | Item number | White | Antracite grey | Frosted glas | Transparent glass |
|-------------|-------------|-------|----------------|--------------|-------------------|
| 600 | 655.8205 → | 511 | 515 | | |
| 800 | 655.8206 → | 511 | 515 | | |
| 900 | 655.8207 → | 511 | 515 | | |
| 1000 | 655.8208 → | 511 | 515 | | |
| 1200 | 655.8209 → | 511 | 515 | | |

Cutting dimension= ICW-100
ICW > see page 33

Made of aluminium

| Front glass panel - high | Item number | White | Antracite grey | Frosted glas | Transparent glass |
|--------------------------|-------------|-------|----------------|--------------|-------------------|
| 600 | 655.8280 → | | | 391 | 392 |
| 800 | 655.8281 → | | | 391 | 392 |
| 900 | 655.8282 → | | | 391 | 392 |
| 1000 | 655.8283 → | | | 391 | 392 |
| 1200 | 655.8284 → | | | 391 | 392 |

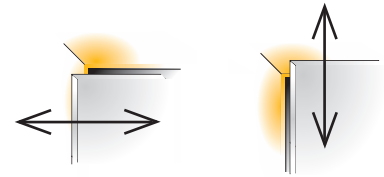
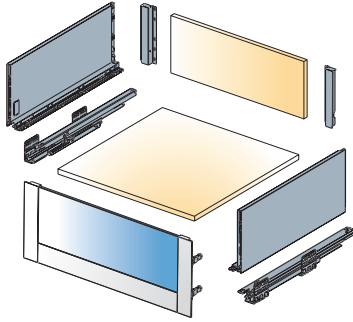
Made of glass

| Front bracket | Item number | White | Antracite grey | Frosted glas | Transparent glass |
|---------------|-------------|-------|----------------|--------------|-------------------|
| | 655.8172 → | 350 | 385 | | |

Made of aluminium and plastic



Bottom panel support
650.8908.350 white
650.8908.385 grey



Side adjustment
+1/-1mm

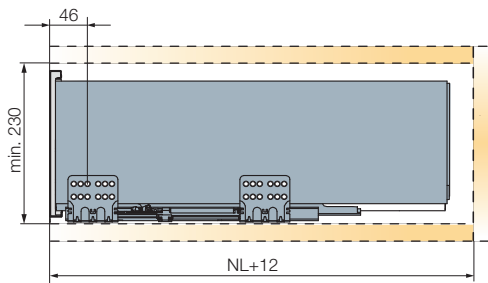
Height adjustment
+2/-2mm

For further explanation → see page 11-12

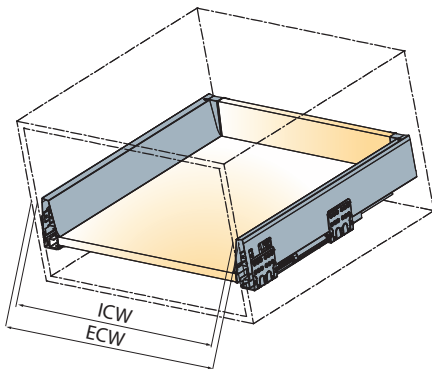
Installation dimensions

Drawer runner fixing positions

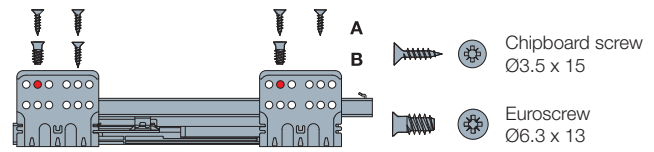
Minimum space required for the cabinet



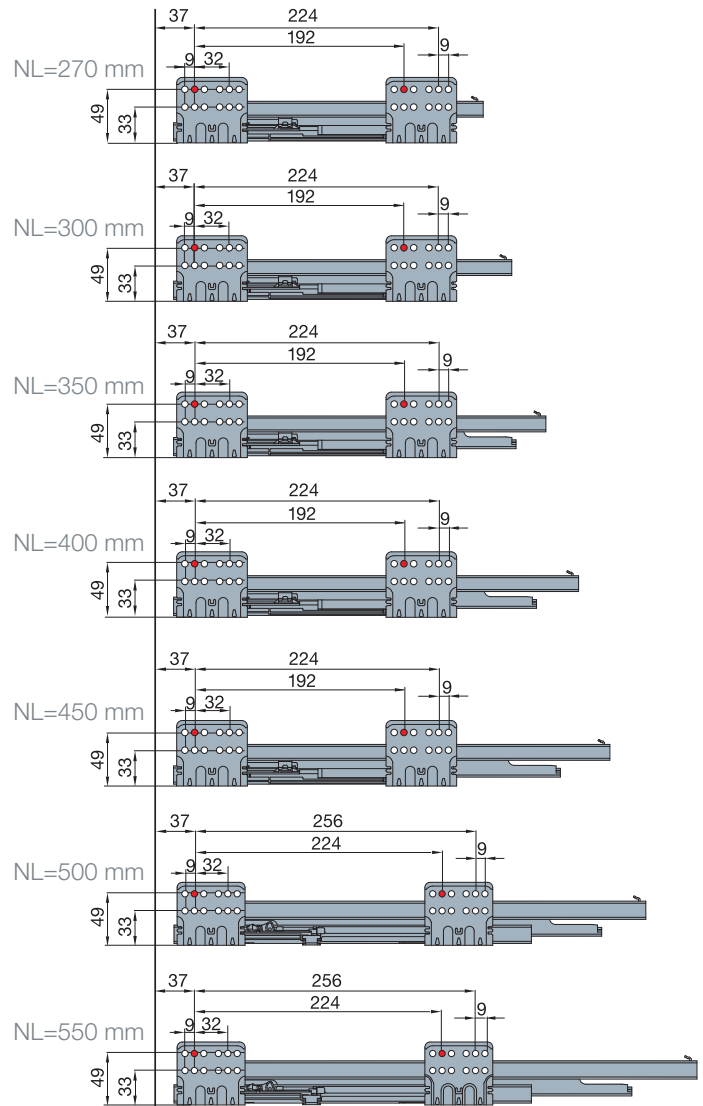
Cutting dimensions details




ECW: External cabinet width
ICW: Internal cabinet width
NL: Nominal length of drawer



⚠ Use the second hole for runner fixing.

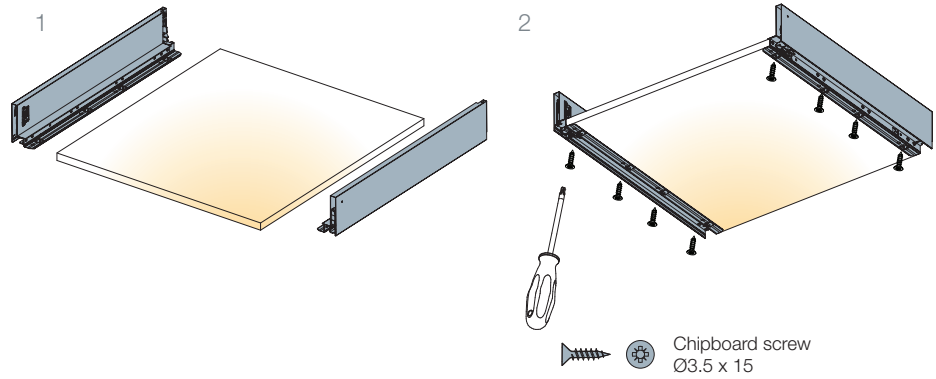


Assembly Instructions

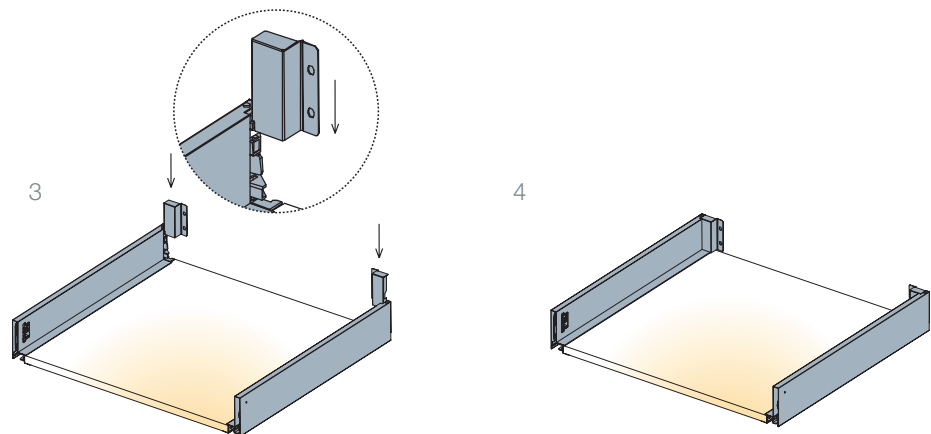
 Screws are not included

Assembly Sequence

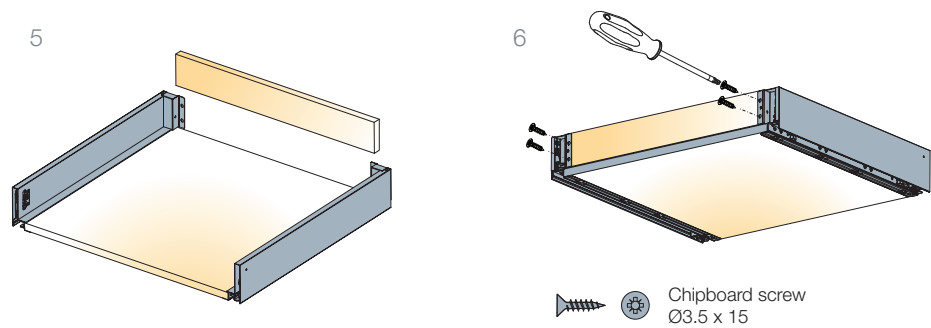
Connect the drawer sides to the bottom panel (1) and fix it with screws (2)




Insert the rear connector vertically (3) and push it downwards into recess in the drawer side (4)



Insert the back panel (5) and fix it with screws (6)

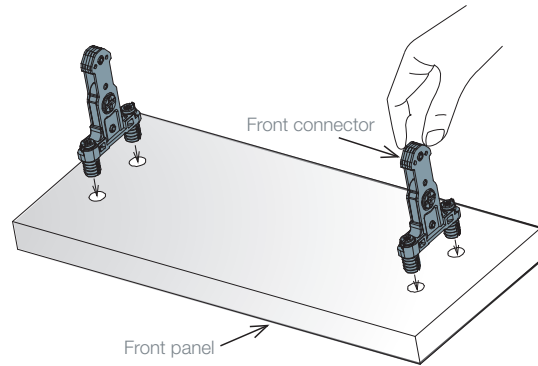


 Screws are not included

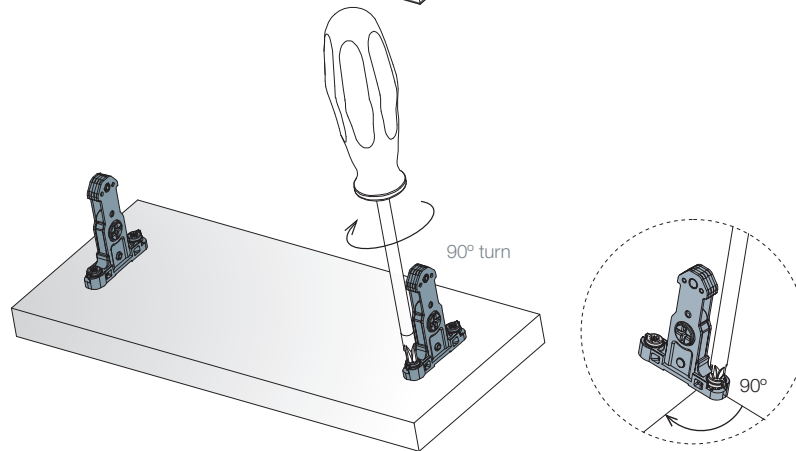
Insertion of Front Connectors

EasyFix

Insert the front connectors into holes on the front panel

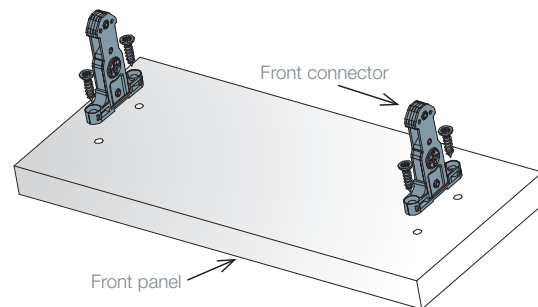


Turn the screws 90° into locked position

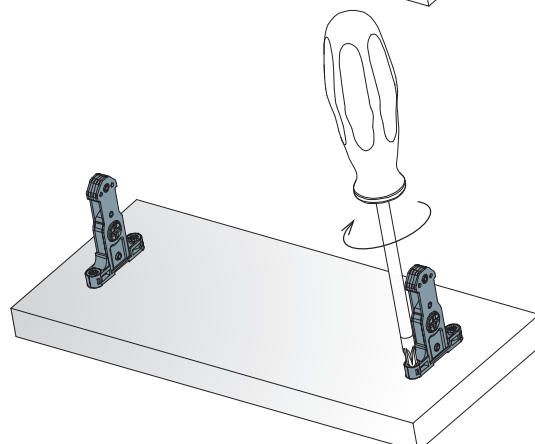


Screw-in fixing

Use Ø3 x 15mm screws for fixing



 Chipboard screw
Ø3.5 x 15

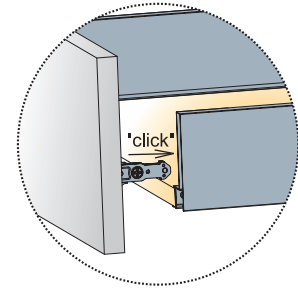
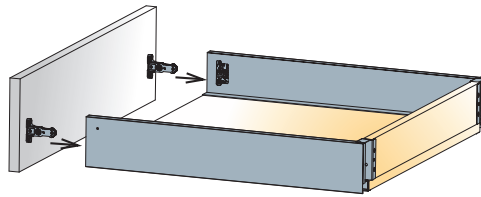


Assembly Instructions

Front Panel Mounting / Removal

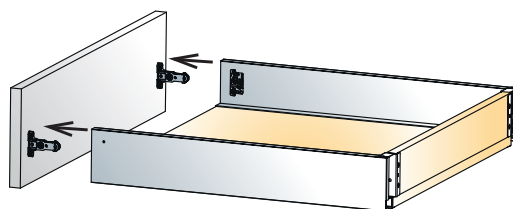
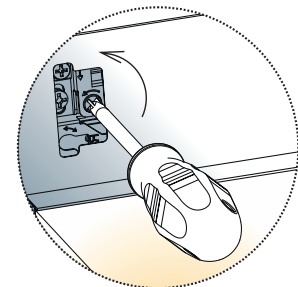
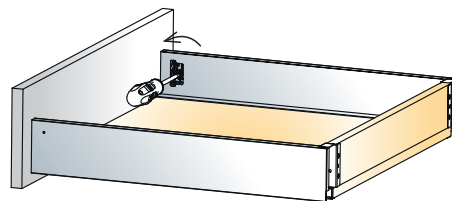
Mounting

Attach the front panel to the drawer and press to click



Removal

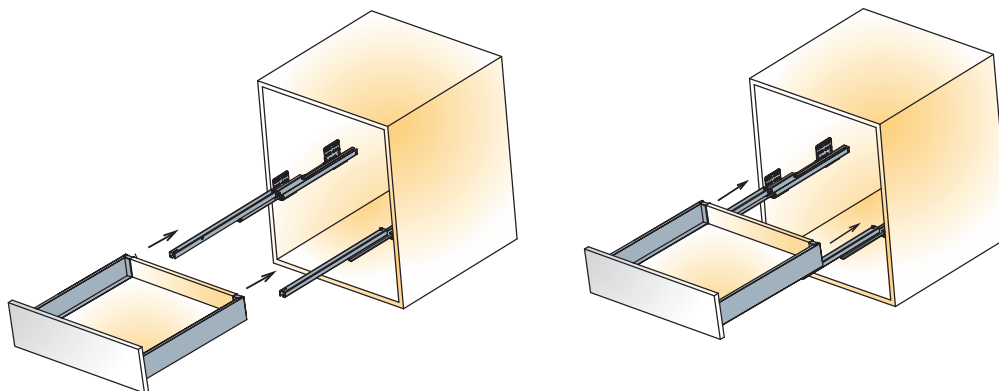
Turn the screw towards the front panel



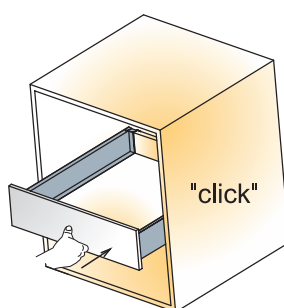
Drawer Insertion / Removal

Insertion

Place the drawer horizontally on the runners and push towards the cabinet until you hear the drawer is locked

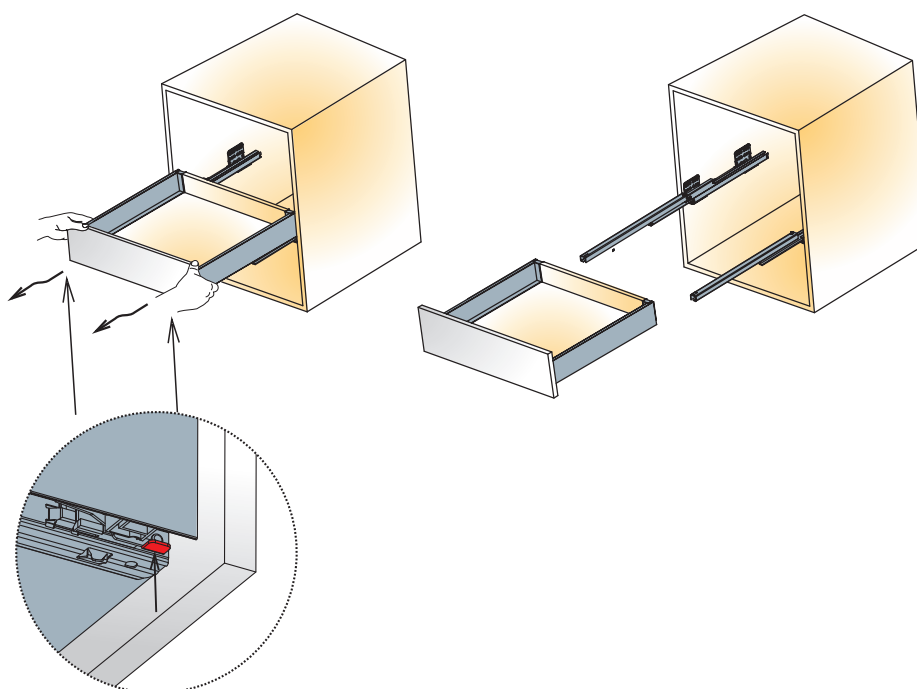


Push to fully close



Removal

Press-up the button under the drawer. Keep pressed to pull the drawer out

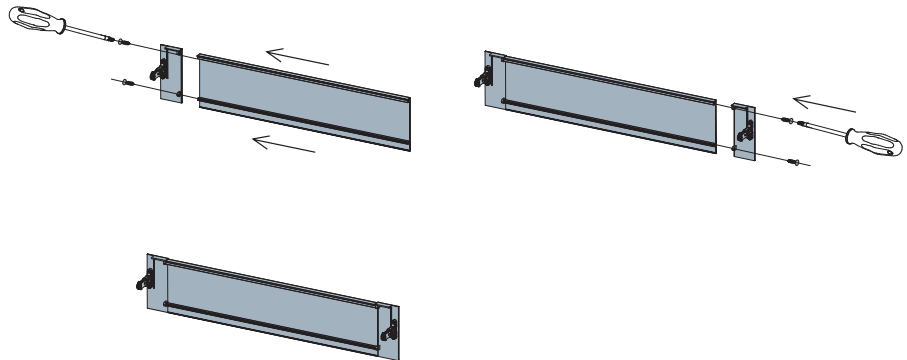


Press-up

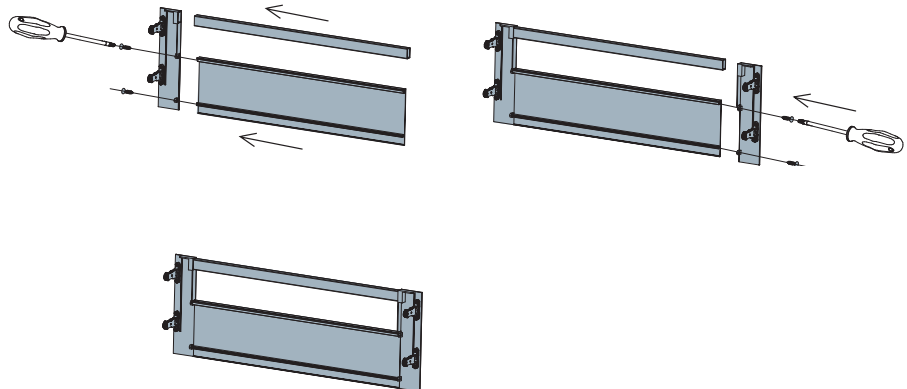
Accessories Mounting

Assembly of Inner Drawer Front

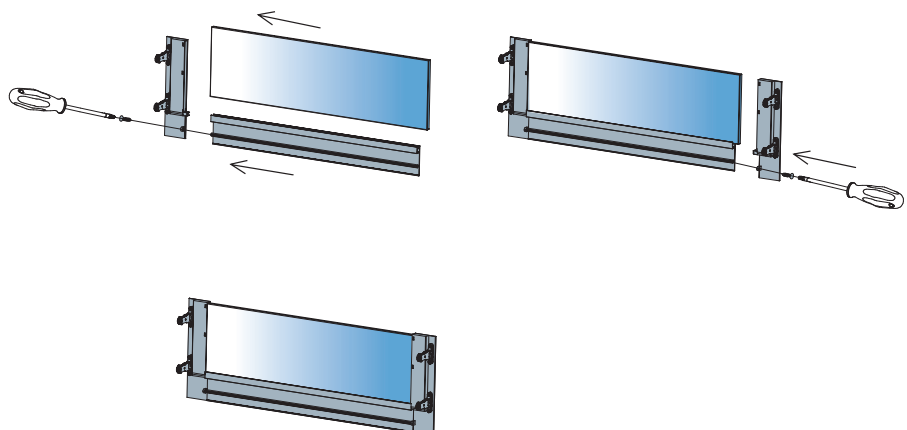
Slimline DW70



Slimline DW145 and DW182
with bar



Slimline DW70, DW145 and
DW182 with glass



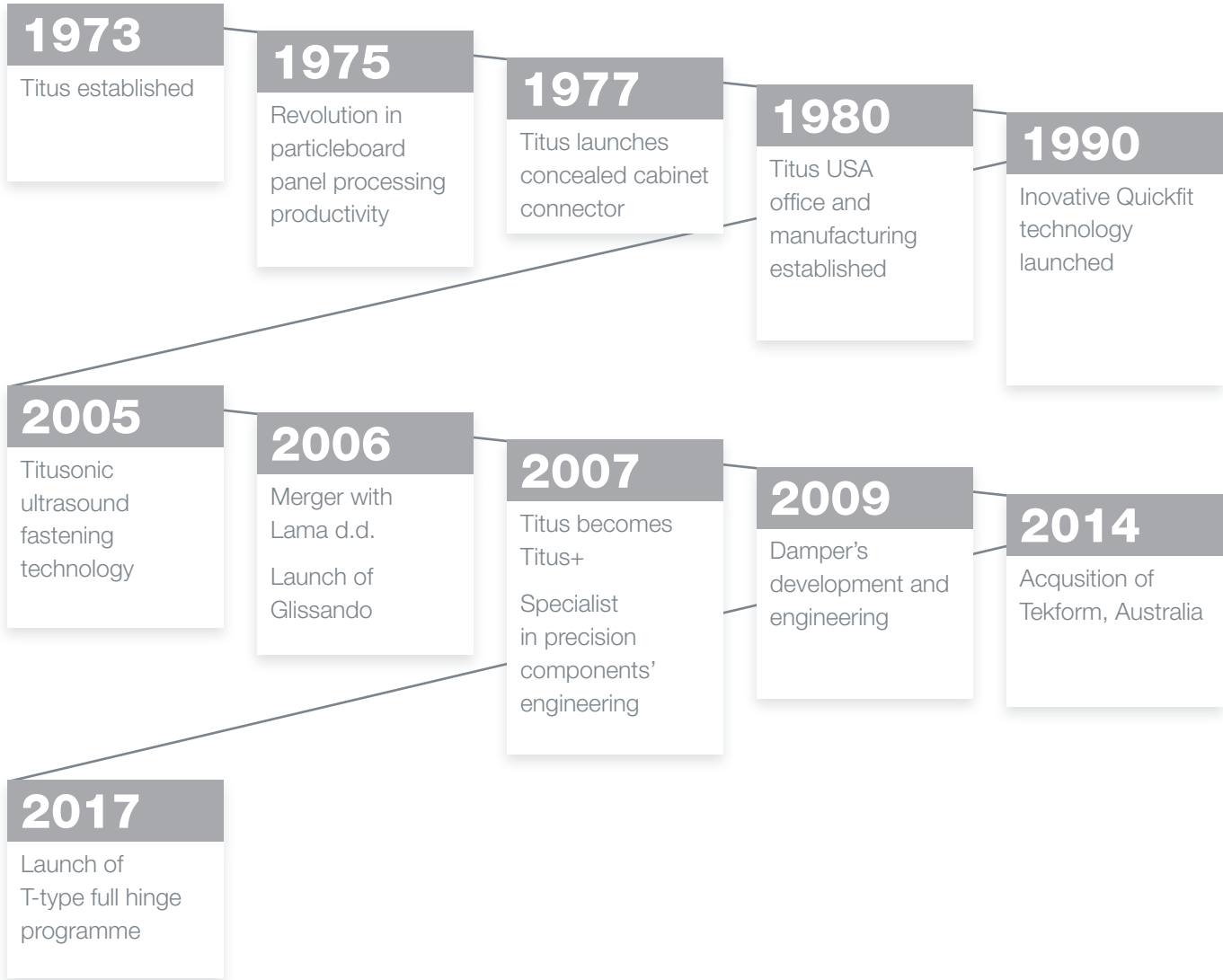
The Titus Group Profile

Titus Group

Titus focuses on the design, manufacture and distribution of connectors, concealed hinges drawers and soft closing mechanisms in furniture and household appliances.

Titus Group is owned and managed from its headquarters in United Kingdom. We are able to provide products and services to every customer around the world based on manufacturing facilities in Europe, North America, China, SE Asia, Australia and New Zealand.

Quickfit technology makes Titus the World leader in connectors for RTA furniture



Vision

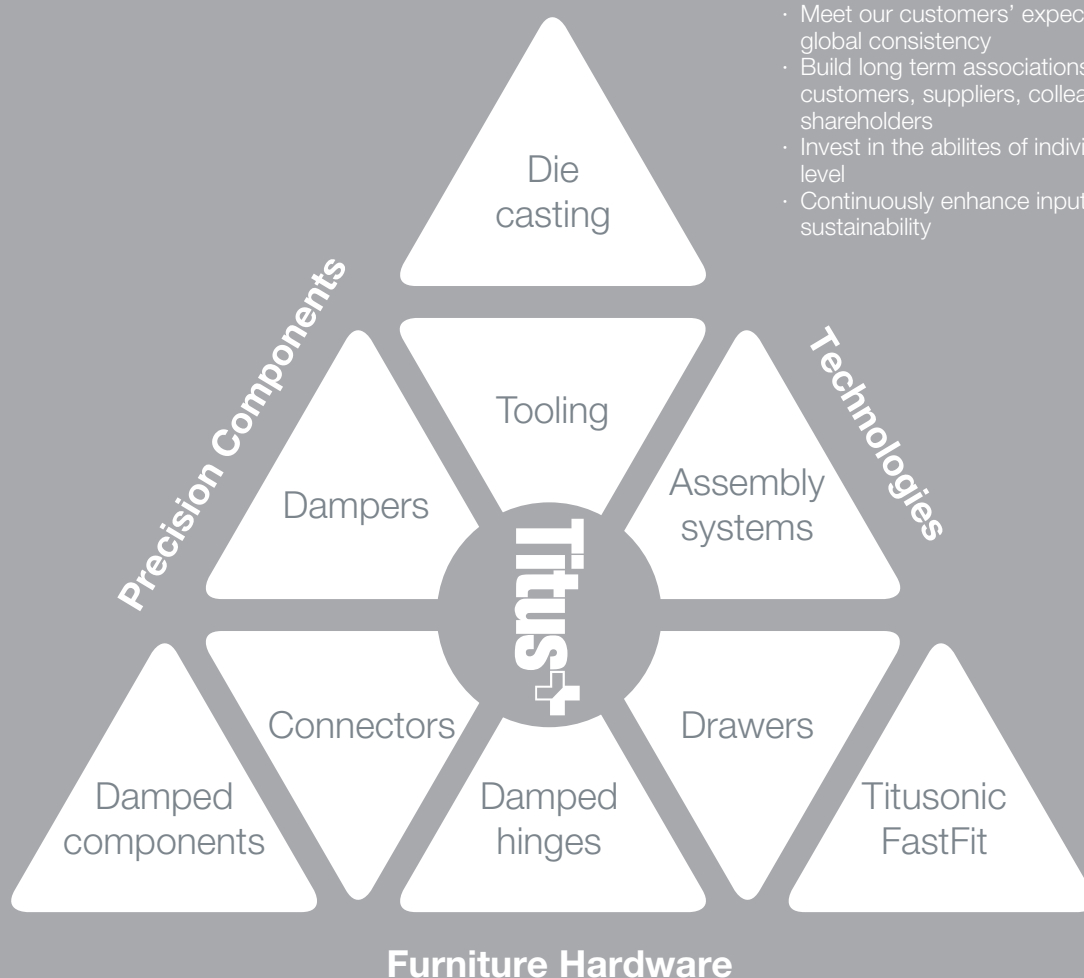
The world's best engineering for precision components

Mission

To provide manufacturers with components' solutions that improve competitiveness

Titus Business Philosophies and Principles

- Gain total knowledge of our customers and their markets
- Focus on identifying and creating high volume component niches
- Meet our customers' expectations with global consistency
- Build long term associations with customers, suppliers, colleagues and shareholders
- Invest in the abilities of individuals at every level
- Continuously enhance input efficiency and sustainability



Furniture Hardware

- Cabinet connectors
- Concealed hinges
- Soft closing systems
- Drawers and drawer systems
- Kitchen accessories
- Furniture locks
- Decorative

Components

- Dampers
- Precision components

Technologies

- Automation systems
- Precision castings
- Die cast technologies
- Tooling
- Ultrasound fastening technology
- FastFit technology

'Totally Integrated Engineering'

Product Design

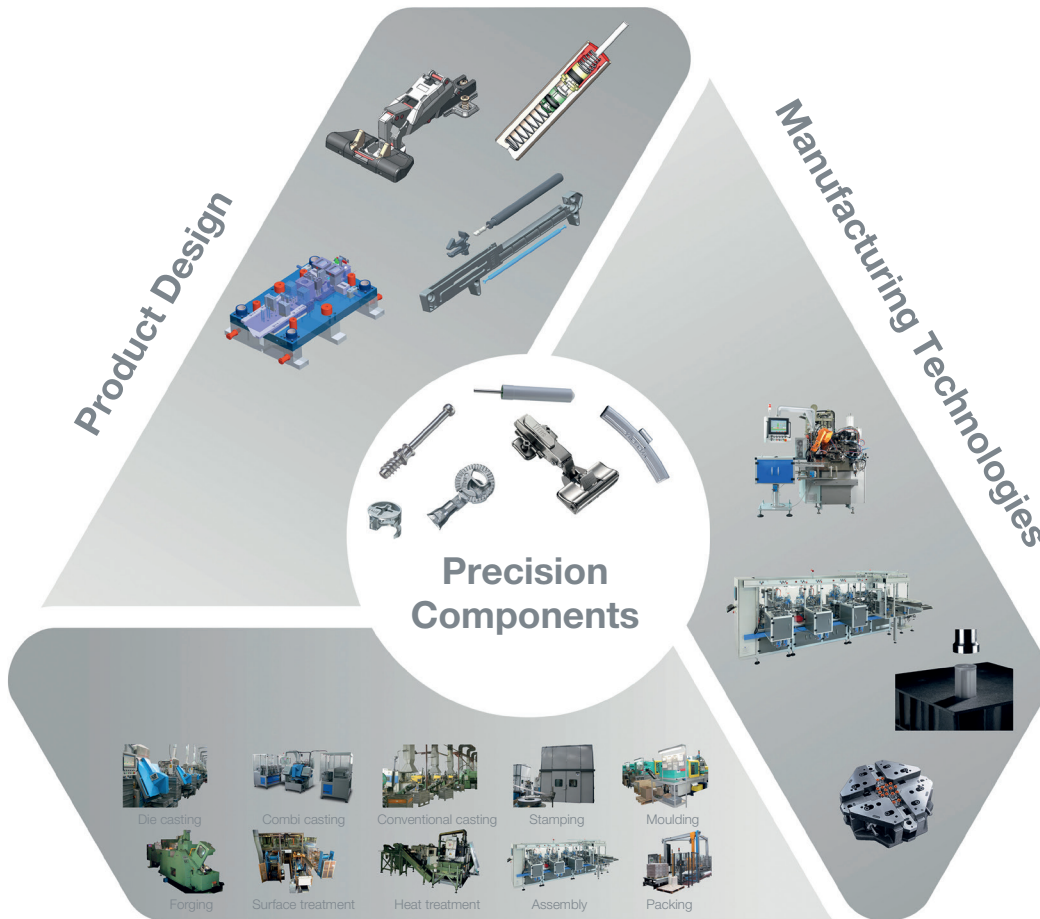
Design and engineering of unique components
Consistent and repeatable product quality

Manufacturing Technologies

to improve productivity and product quality

Manufacturing Operations

A wide array of technologies and services required for high volume production of precision components available in-house



Manufacturing Operations

Fittings for purpose

Unique product advantages for better value for money and lower 'total installed cost'

Innovations that improve

with less parts, less different parts, less preparation actions, faster assembly

Fast time-to-market

Quality

Continuous Improvement

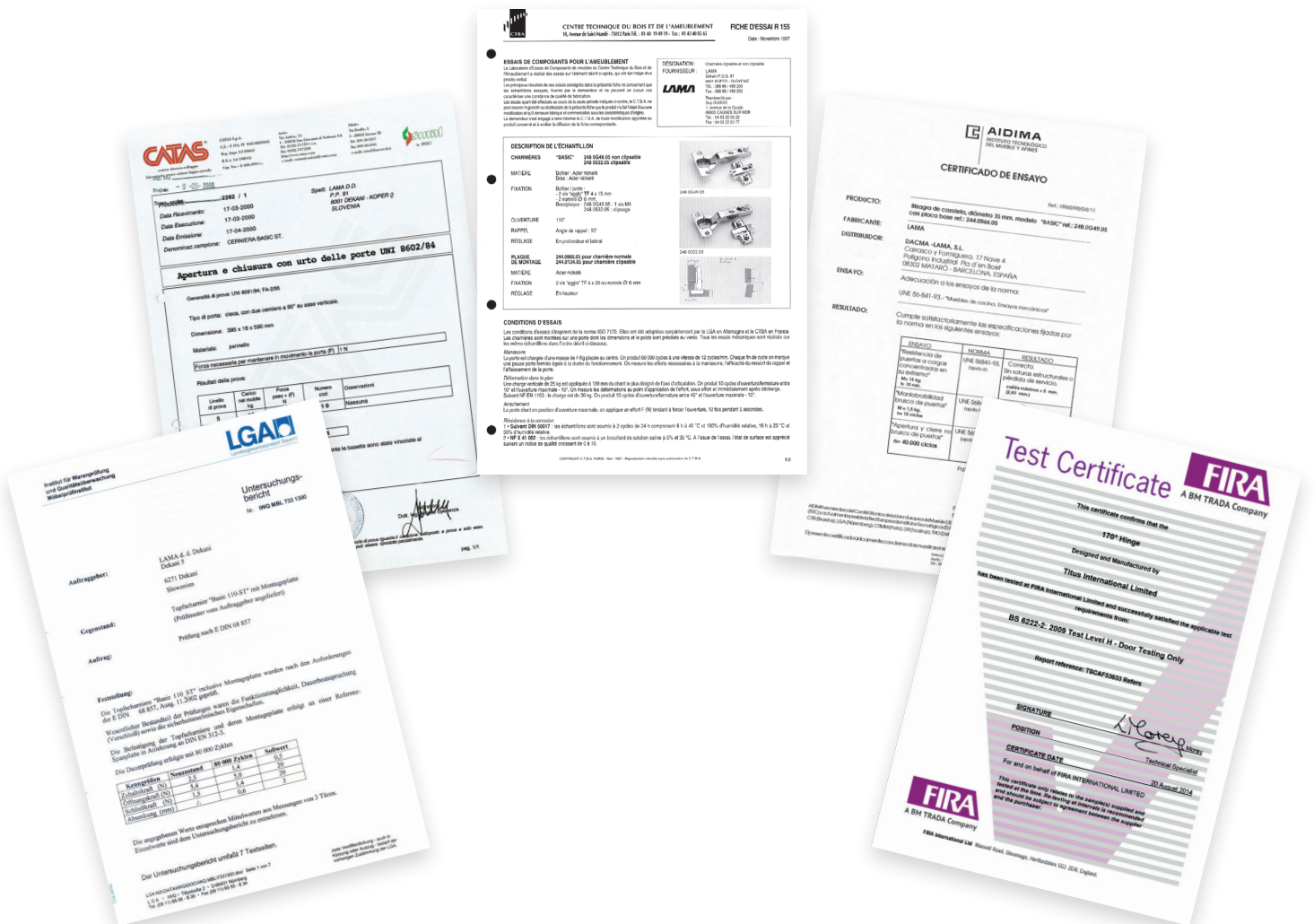
The Titus Group Mission, to improve the competitiveness of our customers, encourages us to continuously improve our products, services, processes and competencies of our employees.

Quality

We believe that the Titus Mission is achieved most effectively through the management of our design, manufacturing and service activities in conformance with the ISO 9001 standard for quality management. Quality has a broad meaning for us: it is our guide to the selection of materials, work, processes, internal relations and cooperation with partners.

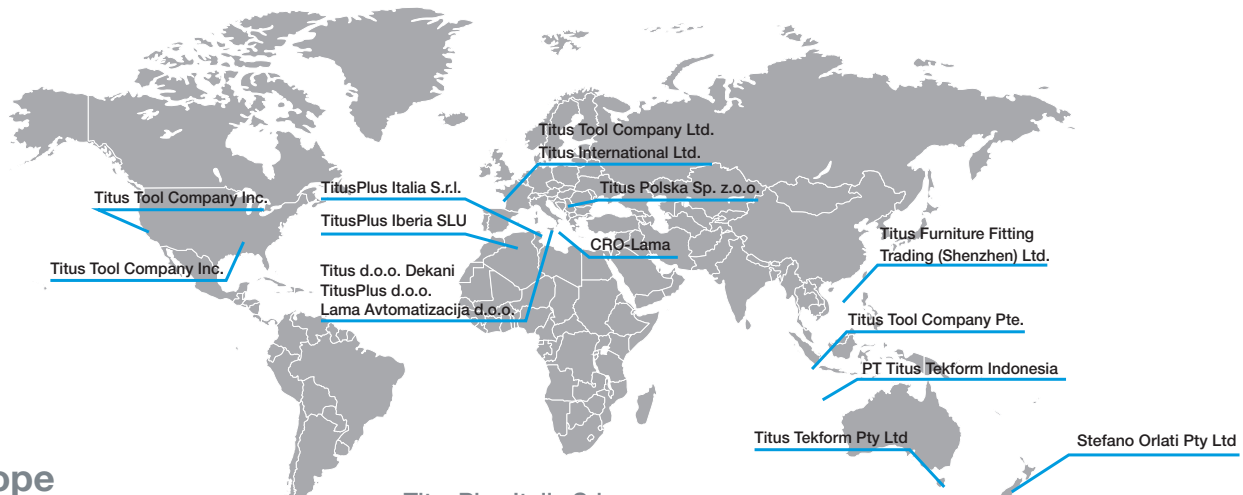
Products

Our integrated quality system produces technically optimized products of high quality. They are assessed regularly in our own test labs as well as by internationally renowned institutions, such as LGA from Germany, CTBA from France, FIRA from United Kingdom, CATAS from Italy, AIDIMA from Spain, and others.



Global player

Worldwide design, manufacturing and distribution capabilities



Europe

TitusPlus d.o.o.
 Dekani 5
 SI-6271 Dekani
 Slovenia
 +386 566 90 213
 +386 566 90 205 Fax
 info@titusplus.com

Titus d.o.o. Dekani
 Dekani 5
 SI-6271 Dekani
 Slovenia
 +386 566 90 213
 +386 566 90 205 Fax
 info@titusplus.com

Titus Technologies
Lama Avtomatizacija d.o.o.
 Dekani 5
 SI-6271 Dekani
 Slovenia
 +386 566 90 432
 +386 566 90 431 Fax
 titustechnologies@titusplus.com

Titus Tool Company Ltd.
 10 Blackburn Industrial Estate
 Enterprise Way
 Sherburn in Elmet
 LS256NA
 United Kingdom
 +44 1977682 582
 +44 1977680 481 Fax
 uk@titusplus.com

CRO-Lama
 Rakitska 10a
 Rakitje
 HR-10437 Bestovje
 Croatia
 +385 1 3323 033
 +385 1 3323 233 Fax
 croatia@titusplus.com

Titus Polska Sp. z o.o.
 ul. Stefańskiego 17 A
 PL-62-002 Suchy Las/Poznań
 Poland
 +4861 811 5402 Phone/Fax
 +4861 811 5684 Phone/Fax
 +4861 821 9362
 poland@titusplus.com

TitusPlus Italia Srl
 Via Aquileia 9
 Frazione Olmi
 31048 San Biagio di Callalta (TV)
 +39 04 221 650 120
 +39 04 221 650 136 Fax
 italia@titusplus.com

TitusPlus Iberia SLU
 C/ Gran Bretanya 34
 08520 Les Franqueses del Valles
 (Barcelona)
 +34 938 715 404
 +34 938 605 498 Fax
 iberia@titusplus.com
 www.titusplusiberia.com

America

Titus Tool Co. Inc.
 2800 156th Avenue SE
 Suite 135
 Bellevue, WA 98007
 USA
 800 762 1616 toll free
 +1 425 746 2080
 +1 425 746 2344 Fax
 usa@titusplus.com

Titus Tool Co. Inc.
 220 Messner Drive
 US-60090 Wheeling, USA
 800 762 1616 toll free
 +1 253 872 2829
 +1 253 872 2827 Fax
 usa@titusplus.com

Australia

Titus Tekform Pty Ltd
 Unit 1, 41-43 Whyalla Place
 Prestons NSW 2170
 Australia
 +61 2 9286 0007
 +61 2 9826 0074 Fax
 www.titustekform.com.au
 info@titustekform.com.au

Stefano Orlati Pty Ltd
 34 Waipareira Avenue
 Henderson
 Auckland, New Zealand
 +64 9 837 0886
 +64 9 837 8003Fax

Asia

Titus Tool Co. Pte. Ltd.
 5004 Ang Mo Kio Ave 5
 Techplace II #04-01
 Singapore 569872
 +656383 3922
 +656383 3178 Fax
 singapore@titusplus.com

Titus SZ Components limited
 1st Floor, Building No.2,
 Hengchangrong Hi-tech Industrial Park
 128 Shangnan East Road
 Hongtian, Shajing, Baoan District
 Shenzhen, Guangdong Province
 PRC 518125
 +86 755 8348 0916
 +86 8359 2676 Fax
 china@titusplus.com

Titus Tekform Indonesia, PT
 Taman Tekno Blok L2 / 7
 BSD Sektor XI - Tangerang 15314
 Indonesia
 T. +62 21 75873578
 F. +62 21 75873574
 Indonesia@titusplus.com

Headquarters

Titus International Ltd
 325 Euston Road
 London
 NW1 3AD, United Kingdom
 info@titusplus.com

www.titusplus.com
 info@titusplus.com

Your authorized dealer

Titus Group
www.titusplus.com

TekformDrawerSlimline 02.1 ENG Aug17